

深圳市科弗特实业有限公司
KOFORD DEVELOPMENT CO.,LIMITED

1-2/F., Bldg. B, Zhancheng Industrial Park, No. 135 Fuyuan 1st Rd.,
Fuhai Str., Bao'an Dist., 518103 Shenzhen, China

86-755-3669 8077

86-755-3669 8177

sales@kf-ind.com



www.kf-ind.com
www.szkofoford.com



KOFORD DEVELOPMENT CO.,LIMITED

www.kf-ind.com / www.szkofoford.com

深圳市科弗特实业有限公司

Some of the products shown in this catalogue may be available at the time of order, please contact us for any specific requests information products and their characteristics may be updated to take into account ongoing production improvements.

2023-2024 Edition

Mounts & Stands for Computer, Laptop, Monitor & Tablet etc.

COMPANY PROFILE

Koford is a professional company engaged in development, production and sales of TV mounting system, computer & monitor stand. Since its establishment 8 years ago, our products are mainly exported to European and American markets. Our customers include specialized online e-commerce providers and offline distribution traditional customers. The company has the worksite of 3000 square meters and an independent metal workshop and 2 assembly lines. At present, it has 50 employees. We attended exhibitions in Hong Kong and overseas every year.

Koford has a worldwide reputation for quality products and innovative ideas. We offer products with unique design and high quality to meet the latest market needs. A large number of research and development investment, to ensure that our products have the core competitiveness at the same time, but also to stand in the forefront of the industry. The complete solution system can meet the personalized customized service needs of global customers. OEM and ODM orders are welcome.

Feel free to contact our sales team at sales@kf-ind.com to get more information about our products or any query you may have.



CONTENTS

Mounts & Stands for Computer, Laptop, Monitor & Tablet etc.

01-06	Manual Electric Sit / Stand Office Desk	43-54	Manual Desktop Monitor Mount
07-12	Desktop / Wall Mount Computer Workstation	55-60	Gas Lift Desktop / Wall Monitor Mount
13-16	Medical Gas Lift Mobile Laptop / Computer Workstation	61-64	iPad / Tablet Wall Mount
17-28	Gas Lift Mobile Laptop / Computer Workstation	65-68	iPad / Tablet Table Stand
29-30	Manual Mobile Tablet Workstation	69-73	iPad / Tablet Floor Stand
31-42	Manual Mobile Laptop / Computer Workstation	74	Cable Management
		75-78	Optional Part



FUNCTION

EXCELLENT

FASHION OFFICE CULTURE

优秀时尚办公文化

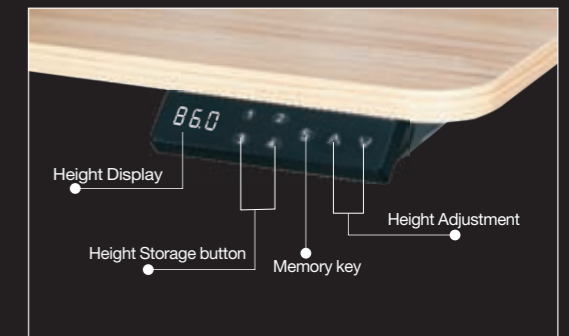
Manual Electric Sit / Stand Office Desk

the lift technology system makes it very to adjust from sitting to standing and enjoys high efficiency work no noise motor design makes you more concentrate on work and free work choice style makes you more relaxed

HUMANIZED OPERATION DESIGN

人性化操作设计

One key switch office posture, stand and sit alternately more healthy



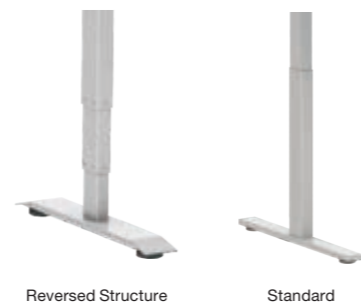
The computer mount or stand series is mainly divided into lifting computer tables, desktop supports, wall mounted supports, floor manually adjusted computer carts, floor air pole adjusted computer carts, and iPad supports, which are respectively used in hospital institutions, mobile RV, office deliberations, public places and exhibitions.

The computer mobile cart can rotate 360 degrees. The vertical cart can move freely, with silent brake universal castors, and the height can be adjusted. The column is made of high-grade aluminum alloy, which has good plasticity and is easy to process. There are palm sliding rails on the upper, lower, left and right sides of the column, as well as power strip plug. Secondly, the corrosion resistance of aluminum alloy is very strong, and it is durable and beautiful. Its simple and reasonable design also makes the cart more flexible and light in use, saving floor space. It has successfully won a good reputation from users at home and abroad.



Lifting Column

- Short installation dimension and long stroke length.
- Each tube thickness is increased to 2mm.
- Add strengthening support on the bottom of lifting column.
- Stronger to resist lateral force, and high degree of stability.



Platform

- Wireless charging
- Storage Slot for phone, tablet and other accessories



Wireless Charging



Storage Slot for Phone, Tablet and other accessories



Wood Color Available :



Product Details

- Height Adjustable Feet
- Cable Management

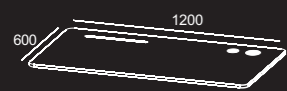


Height Adjustable Feet



Cable Management

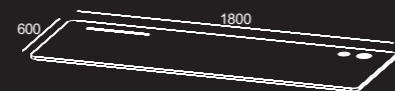
Optional Platform Size



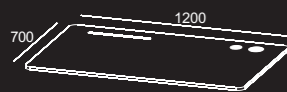
ES / MS-A1



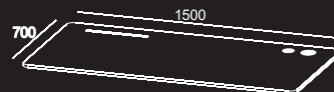
ES / MS-A2



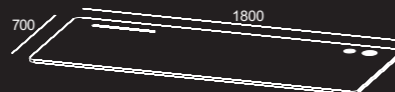
ES / MS-A3



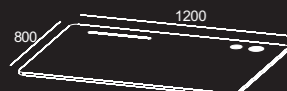
ES / MS-B1



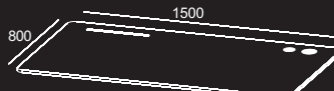
ES / MS-B2



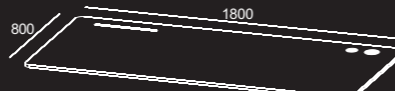
ES / MS-B3



ES / MS-C1



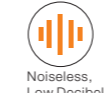
ES / MS-C2



ES / MS-C3



Quality SPCC



Noiseless, Low Decibel



Environmental Wood Material

- Dual Motor
- Reversed Column
- 3-Stage



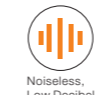
Color Available: Black Grey White

▶ ES 01

Model	Product Dimensions	Height Range	Power Input	Control Mode	Weight Capacity	Speed	Decibel	Color
ES 01	(1100-1800)*700*(610-1260)mm	610-1260mm	24VDC	Button	100kgs	35mm/s	<50db	Grey / Black / White



Quality SPCC



Noiseless, Low Decibel



Environmental Wood Material

- Single Motor
- Standard Column
- 2-Stage



Color Available: Black Grey White

▶ ES 02

Model	Product Dimensions	Height Range	Power Input	Control Mode	Weight Capacity	Speed	Decibel	Color
ES 02	(1150-1600)*700*(720-1220)mm	610-1260mm	24VDC	Button	100kgs	20mm/s	<50db	Grey / Black / White

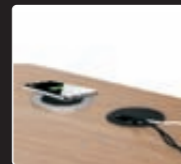
FUNCTION

EXCELLENT Ergonomic

优秀的人体工程学

HUMANIZED OPERATION DESIGN

人性化操作设计



Wireless Charging



Height Adjustable Feet



Cable Management



Storage Slot for Phone, Tablet and other accessories

Hand lifting, Proper exercise at work is more beneficial to health



Manual Electric Sit / Stand Office Desk

With a study crank handle, this premium manually-operated Height-adjustable desk can suit all your working positions quietly and easily

配有研究曲柄，这款高级手动调节高度的办公桌可以安静而轻松地满足您的所有工作位置



Manual Electric Sit / Stand Office Desk

Manual Reversed Column 2-Stage



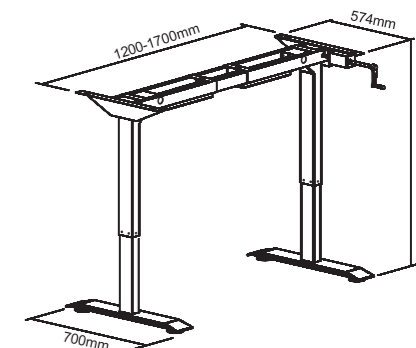
Quality SPCC



Noiseless, Low Decibel



Environmental Wood Material



Color Available: Black Grey White

MS 01

Model	Product Dimensions	Height Range	Weight Capacity	Speed	Color
MS 01	(1200-1700)*700*(700-1200)mm	700-1200mm	70kgs	10mm / Turn	Grey / Black / White



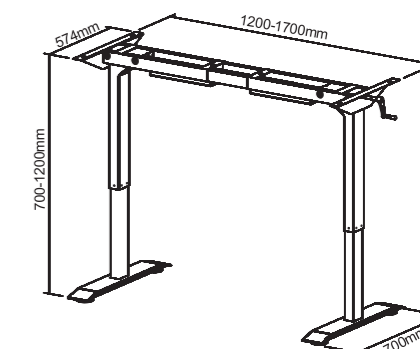
Quality SPCC



Noiseless, Low Decibel



Environmental Wood Material



Color Available: Black Grey White

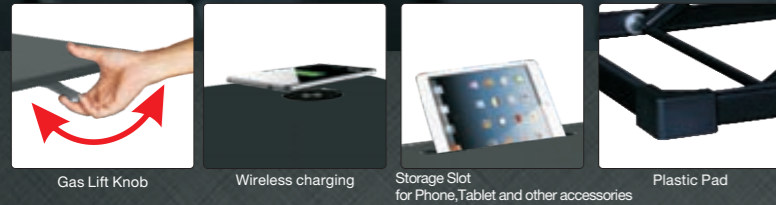
MS 02

Model	Product Dimensions	Height Range	Weight Capacity	Speed	Color
MS 02	(1200-1700)*700*(700-1200)mm	700-1200mm	70kgs	10mm / Turn	Grey / Black / White

Desktop / Wall Mount Computer Workstation

Open A New Way Of Healthy Office Work With Alternating Standing And Sitting. 开启新的健康办公方式，站立交替办公。

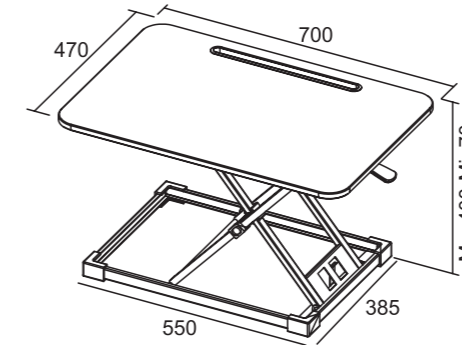
Sit or stand office desk is a kind of lifting table. It is a table widely promoted and applied in modern office. The form of lifting is mainly through the adjustment of the desktop height to meet the needs of people of different heights. The lifting desk has realized more liberalization of office work, which is in line with the trend of the times.



FUNCTION
SITTING & STANDING ALTERNATION
站立交替



Desktop / Wall Mount Computer Workstation

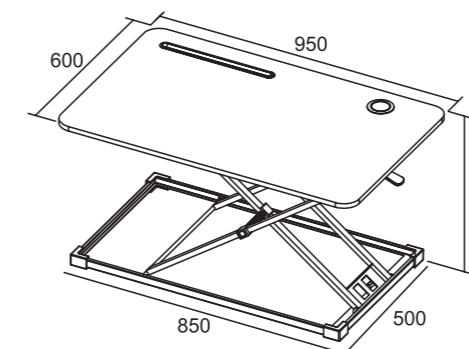


Basic size of Workstion, no wireless Charging.



DW 001A

Model	Suggest Monitor Size	Wroksurface Size	Material	Color	Height Range	Loading Capacity	Wireless Charge	Tablet Slot
DW 001A	10-24"	470-700mm	MDF+Steel	Black / Silver / White	70-400mm	20kgs	No	No



Lager size of Workstion with wireless charging.



DW 001B

Model	Suggest Monitor Size	Wroksurface Size	Material	Color	Height Range	Loading Capacity	Wireless Charge	Tablet Slot
DW 001A	14-32"	600-950mm	MDF+Steel	Black / Silver / White	70-520mm	20kgs	Available	Available



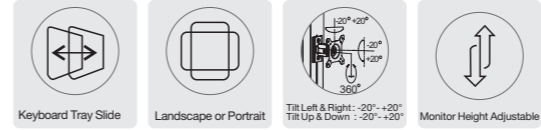
Desktop / Wall Mount Computer Workstation

Designed for home office crowd can realize up and down, standing office products, not only save space, but also compatible with office. 为家居办公人群设计的一款可实现的产品，不仅节约空间，同时可兼容办公

FUNCTION

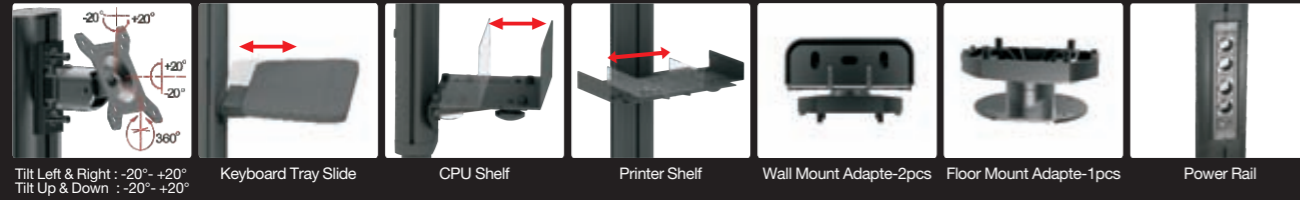
ALL-IN-ONE COMPUTER STAND

一体式电脑支架

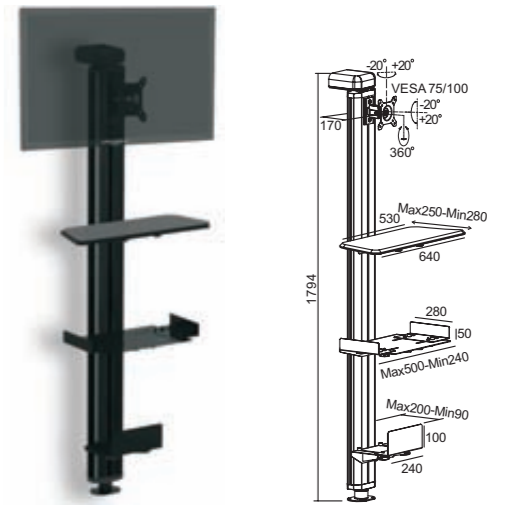


Desktop / Wall Mount Computer Workstation

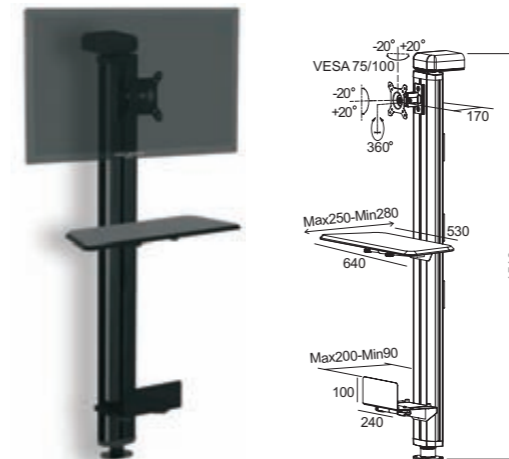
Product Details



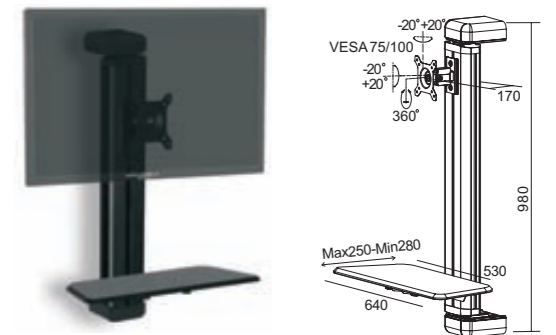
Silver



WMW 001



WMW 001A



WMW 001B

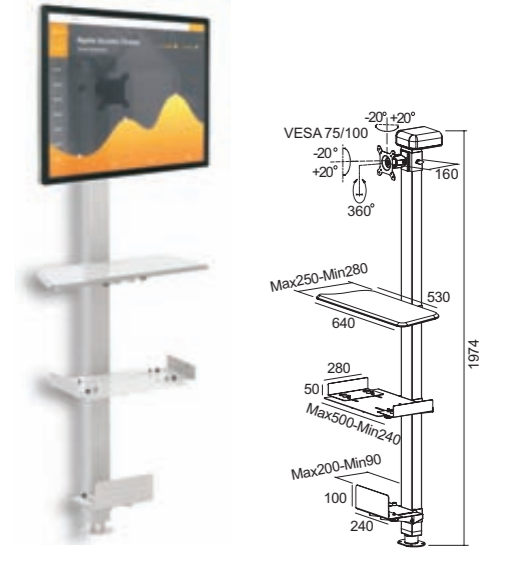
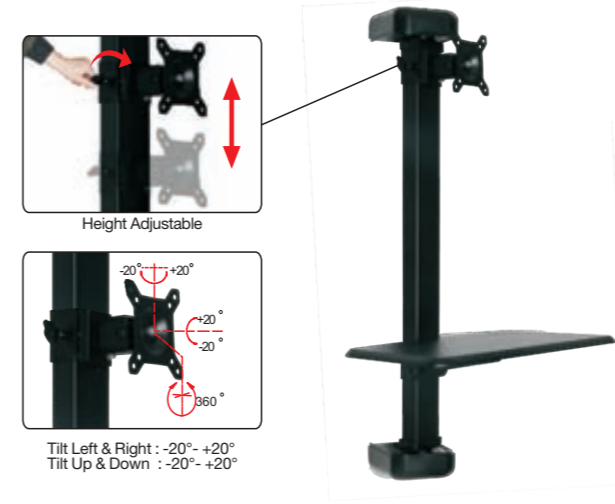
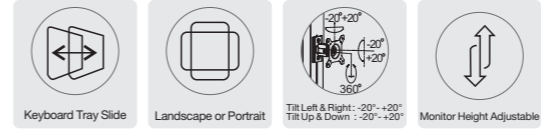
Model	Color	Material	Suggest Size	VESA Standard	Tilt Up & Down Tilt Left & Right	Loading Capacity on Monitor Mount	Loading Capacity on Keyboard Tray	Loading Capacity on Printer Shelf	Loading Capacity on CPU Holder	Power Rail
WMW 001	Silver / White /Black	SPCC / Alu. / MDF	10-24"	75 / 100	-20° - +20°	10kgs	20kgs	20kgs	20kgs	4-Outlet
WMW 001A	Silver / White /Black	SPCC / Alu. / MDF	10-24"	75 / 100	-20° - +20°	10kgs	20kgs	No	20kgs	4-Outlet
WMW 001B	Silver / White /Black	SPCC / Alu. / MDF	10-24"	75 / 100	-20° - +20°	10kgs	20kgs	No	No	2-Outlet

Desktop / Wall Mount Computer Workstation

FUNCTION
ALL-IN-ONE COMPUTER STAND
一体式电脑支架

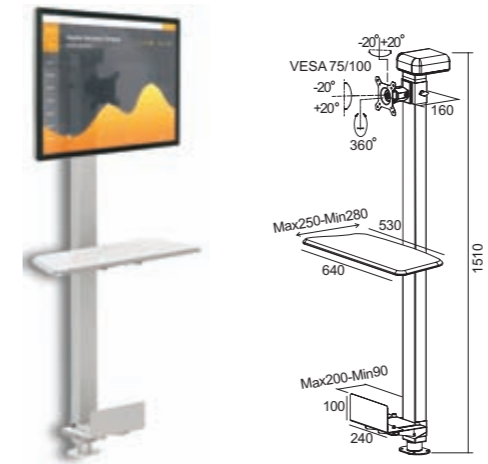


Desktop / Wall Mount Computer Workstation

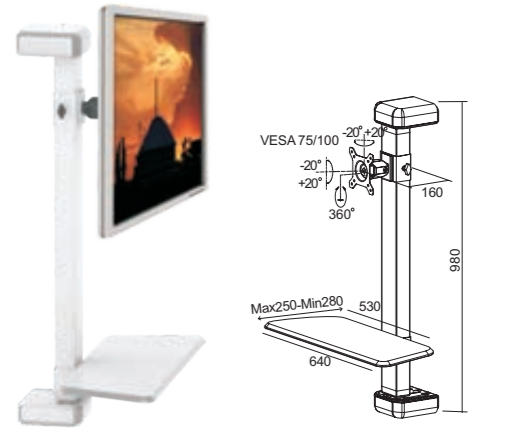


► **WMW 002**

Designed for home office crowd can realize up and down, standing office products, not only save space, but also compatible with office.
为家居办公人群设计的一款可实现的产品, 不仅节约空间, 同时可兼容办公

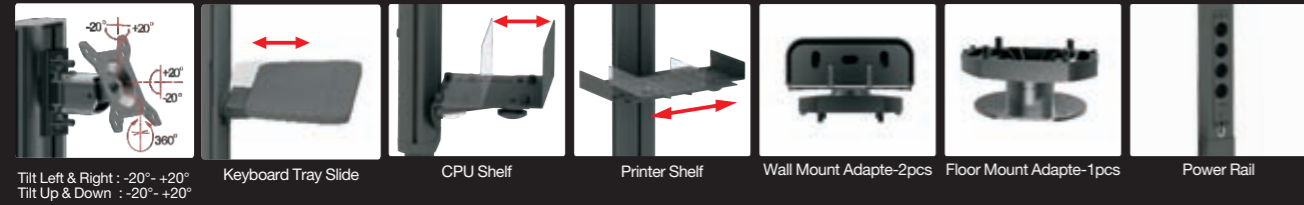


► **WMW 002A**



► **WMW 002B**

Product Details



Model	Color	Material	Suggest Size	VESA Standard	Tilt Up & Down Tilt Left & Right	Loading Capacity on Monitor Mount	Loading Capacity on Keyboard Tray	Loading Capacity on Printer Shelf	Loading Capacity on CPU Holder	Power Rail
WMW 002	Silver / White / Black	SPCC / Alu. / MDF	10-24"	75 / 100	-20° - +20°	10kgs	20kgs	20kgs	20kgs	4-Outlet
WMW 002A	Silver / White / Black	SPCC / Alu. / MDF	10-24"	75 / 100	-20° - +20°	10kgs	20kgs	No	20kgs	4-Outlet
WMW 002B	Silver / White / Black	SPCC / Alu. / MDF	10-24"	75 / 100	-20° - +20°	10kgs	20kgs	No	No	2-Outlet

Based on ergonomic design principle, the column lifting structure can flexibly adjust the working height of the cart. With foot/hand control lifting mode, you can easily lift the column by gently pressing the lifting switch on the side of the armrest or the foot pedal in the center of the base, which not only meets the needs of people of different heights in the East and the West, but also guarantees the comfort of medical staff.

Medical Gas Lift Mobile Laptop / Computer Workstation

NEW
Product

FUNCTION
**MEDICAL
WORKSTATION**
医疗推车

Product Details



Slot for Pen Kits Handling Bar Medical Mute Castor

Optional Part



Available Mount on Front & Back of Pillar and Left & Right of Pillar

Printer Shelf
PRT 001

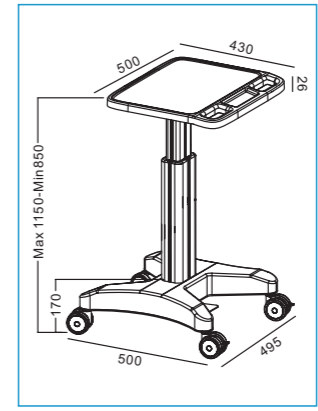
Storage Box
STR 002



Gas Lift Knob By Foot



Cable Management



MCL 1000

Model	Suggest Size	Color	Material	Monitor Adjustable Height	Desktop Adjustable Height	Loading Capacity / Desktop	Loading Capacity / Printer Shelf	Loading Capacity / Storage Box	Cable Management	Power Rail
MCL 1000	Up to 17" Laptop	White / Silver / Black	ABS / SPCC / Alu.	Min 850- Max 1150	Min 850- Max 1150	20kgs	20kgs	20kgs	Yes	N/A

**Medical Gas Lift
Mobile Laptop / Computer Workstation**

**NEW
Product**



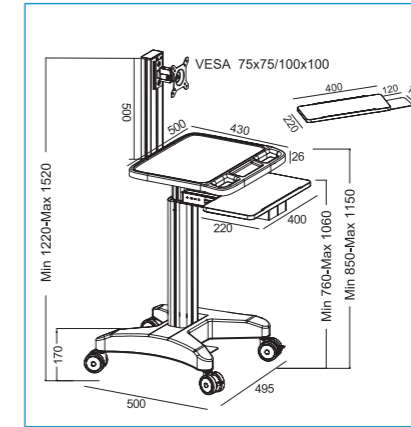
Product Details



**FUNCTION
MEDICAL
WORKSTATION
医疗推车**

**NEW
Product**

**Medical Gas Lift
Mobile Laptop / Computer Workstation**

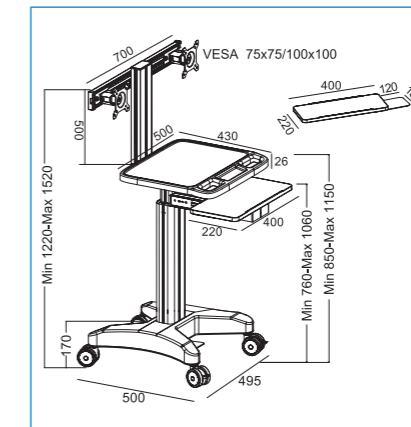
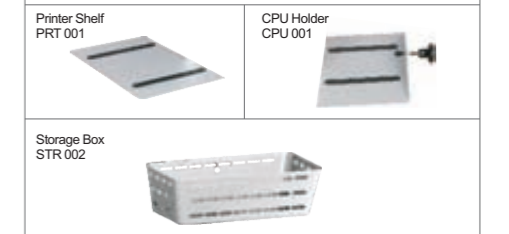


MCL 1601

Model	MCL 1601	MCL 1602
Suggest Size	10-27"	10-24"
Color	White / Silver / Black	White / Silver / Black
Material	ABS / SPCC / Alu.	ABS / SPCC / Alu.
VESA Standard	75*75 / 100*100	75*75 / 100*100
Monitor Adjustable Height	Min 1220- Max 1520	Min 1220- Max 1520
Desktop Adjustable Height	Min 850- Max 1150	Min 850- Max 1150
Keyboard Adjustable Height	Min 760-Max 1060	Min 760-Max 1060
Loading Capacity / Monitor Mount	10kgs	10kgs Per mount
Loading Capacity / Desktop	20kgs	20kgs
Loading Capacity / keyboard Tray	5kgs	5kgs
Loading Capacity / Printer Shelf	20kgs	20kgs
Loading Capacity / CPU Shelf	20kgs	20kgs
Loading Capacity / Storage Box	20kgs	20kgs
Monitor Tilt Up & Down	-20° - +20°	-15° - +15°
Monitor Tilt Left & Right	-20° - +20°	0°
Cable Management	Yes	Yes
Power Rail	N/A	N/A

Optional Part

Available Mount on Front & Back of Pillar and Left & Right of Pillar



MCL 1602

Gas Lift Mobile Laptop / Computer Workstation

Mobile computer carts is also suitable for hospitals. As a medical cart, it is widely used in registration, payment, nursing, ward round, surgery and other scenes. With the continuous development and innovation of Internet technology, medical cart has gradually become one of the very important equipment in hospitals. In particular, the reformed medical cart is not only guaranteed in quality, but also significantly improved in practicability and convenience.



FUNCTION

MOBILE LAPTOP TABLE
笔记本移动桌

Gas Lift Mobile Laptop / Computer Workstation



GAS 1000

The lifting range is 80-120cm, suitable for different human height

Product Details



Gas Lift Knob



Storage Slot for Phone, Tablet and other accessories



Brake Castor



Brake Castor



Height Adjustable Gas Lift

Optional Part

Available Mount on Front & Back of Pillar and Left & Right of Pillar

Printer Shelf
PRT 001



Storage Box
STR 001



A4 Printing Paper Holder
DOC 002



Power Case
P001



Model	GAS 1000	GAS 1000A	GAS 1000B	GAS 1000AS
Color	Silver / White / Black	Silver / White / Black	Silver / White / Black	Silver / White / Black
Material	SPCC / Alu. / MDF / Gas Lift	SPCC / Alu. / MDF / Gas Lift	SPCC / Alu. / MDF / Gas Lift	SPCC / Alu. / MDF / Gas Lift
VESA Standard	N/A	N/A	N/A	N/A
Suggest Size	Up to 17" Laptop	Up to 17" Laptop	Up to 17" Laptop	Up to 17" Laptop
Loading Capacity on Keyboard Tray	10kgs	10kgs	10kgs	10kgs
Loading Capacity on Storage Box	20kgs	20kgs	20kgs	20kgs
Loading Capacity on Printer Shelf	20kgs	20kgs	20kgs	20kgs
Power Rail	Optional on Base	Optional on Base	Optional on Base	Optional on Base
Cable Management	Yes	Yes	Yes	Yes

Gas Lift
Mobile Laptop / Computer Workstation

FUNCTION

LAPTOP MOBILE TABLE
笔记本移动桌

Gas Lift
Mobile Laptop / Computer Workstation

Office



Home

Gas Lift Mobile Laptop / Computer Workstation

FUNCTION

**SUITABLE FOR
DIFFERENT PEOPLE**

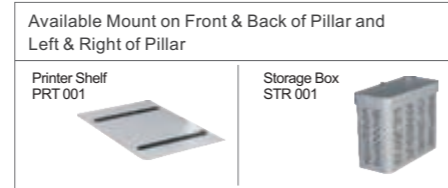
适合不同人群



Product Details



Optional Part



Be Flexible And Choose The Height You Want

Desktop Adjustment Height,
Suitable for People of Different Heights



GAS 2000



GAS 2100

Model	Suggest Size	Material	VESA Standard	Color	Power Rail	Desktop Adjustable Height	Loading Capacity / Desktop	Loading Capacity / Printer Shelf	Loading Capacity / Storage Box	Cable Management
GAS 2000	Up to 17" Laptop	SPCC / MDF	N / A	Black / Silver / White	Optional on base	Max 1200-Min 800	20kgs	20kgs	20kgs	Yes
GAS 2100	Up to 17" Laptop	SPCC / MDF	N / A	Black / Silver / White	Optional on base	Max 1180-Min 780	20kgs	20kgs	20kgs	Yes

FUNCTION

**TILT FOLD
STYLE SHOW**

倾斜/折叠
风格展示

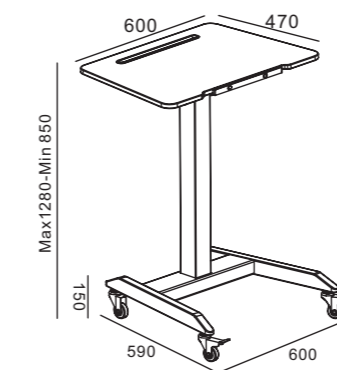
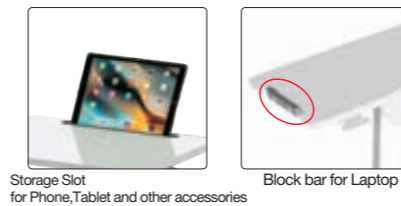
**NEW
Product**

Gas Lift Mobile Laptop / Computer Workstation

Collapsible Tilting Design, Not In Use When Placed In The Corner,
Very Space Saving.

可折叠倾斜设计,不使用时置于角落,很省空间

Product Details



The Lifting Range is 850-1280cm, Suitable For
Different Human Height

GAS 1100

Desktop 0° - 45° - 90° adjustable



Model	Suggest Size	Material	VESA Standard	Color	Power Rail	Desktop Adjustable Height	Adjustable Height	Loading Capacity / Desktop	Loading Capacity / Printer Shelf	Loading Capacity / Storage Box
GAS 1100	Up to 17" Laptop	SPCC / MDF	N / A	Black / Silver / White	Optional on Base	Max 1280-Min 850	Table / Tilt / Fold	20kgs	20kgs	20kgs

**Gas Lift
Mobile Laptop / Computer Workstation**



FUNCTION

**FREE
MOVEMENT**

随心移动



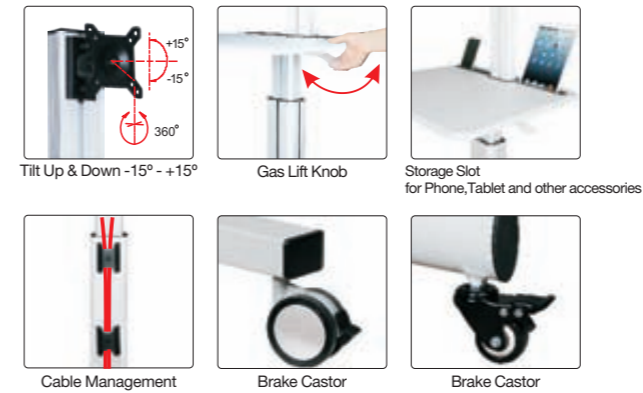
GAS 1601A

**Gas Lift
Mobile Laptop / Computer Workstation**

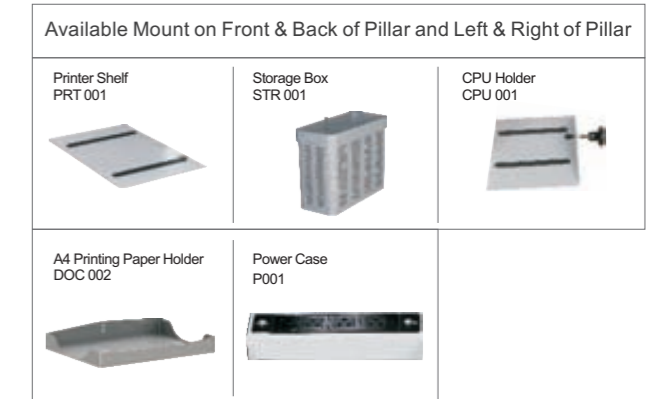


The Lifting Range is 130-170cm, Suitable For Different Human Height

Product Details

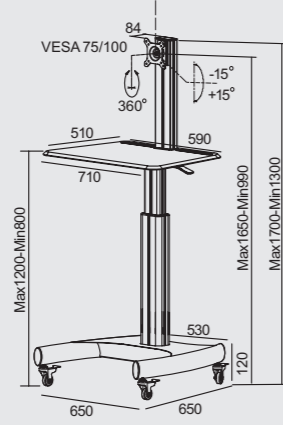


Optional Part

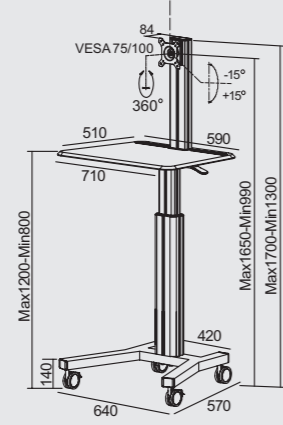


Model	GAS 1601	GAS 1601A	GAS 1601B
Color	Silver / White / Black	Silver / White / Black	Silver / White / Black
Material	SPCC / Alu. / MDF / Gas Lift	SPCC / Alu. / MDF / Gas Lift	SPCC / Alu. / MDF / Gas Lift
VESA Standard	100*100 , 75*75	100*100 , 75*75	100*100 , 75*75
Suggest Size	10-27"	10-27"	10-27"
Loading Capacity on Monitor Mount	10kgs Per Mount	10kgs Per Mount	10kgs Per Mount
Loading Capacity on Keyboard Tray	10kgs	10kgs	10kgs
Loading Capacity on CPU Holder	20kgs	20kgs	20kgs
Loading Capacity on Storage Box	20kgs	20kgs	20kgs
Loading Capacity on Printer Shelf	20kgs	20kgs	20kgs
Power Rail	Optional on Base	Optional on Base	Optional on Base
Cable Management	Yes	Yes	Yes
Tilt Up & Down	-15° - +15°	-15° - +15°	-15° - +15°

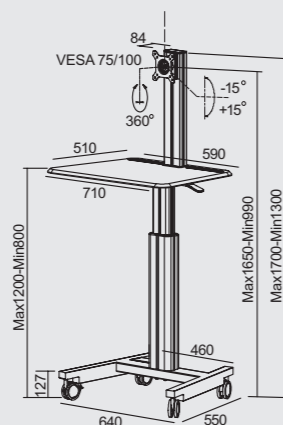
GAS 1601

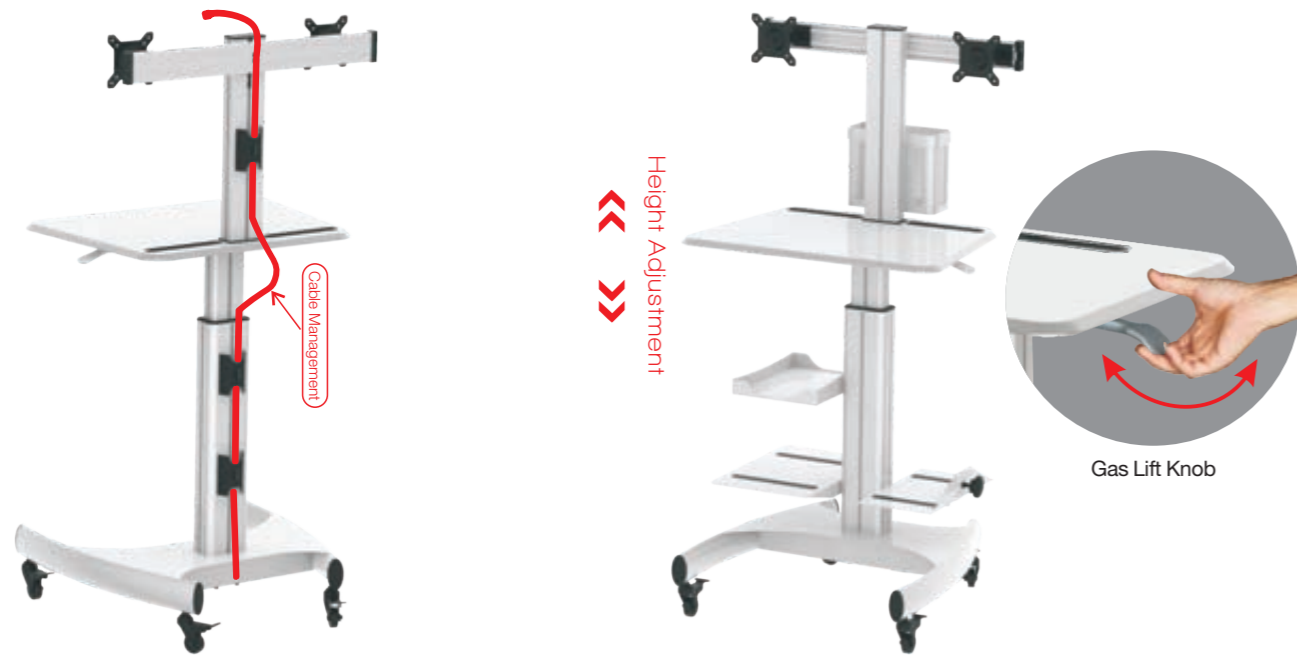


GAS 1601A



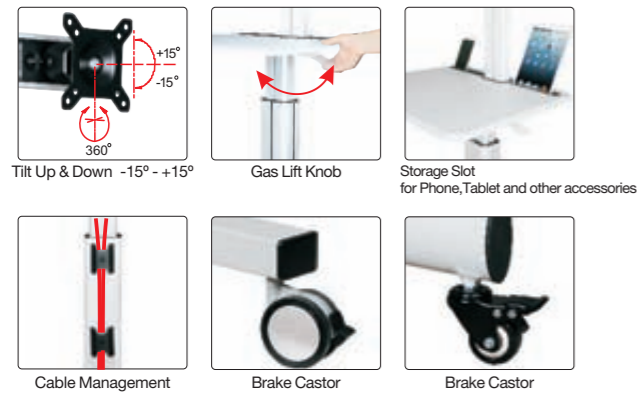
GAS 1601B



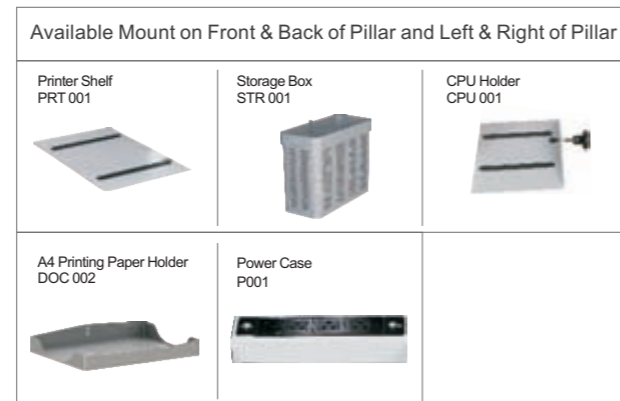


The Lifting Range Is 128-168cm, Suitable For Different Human Height

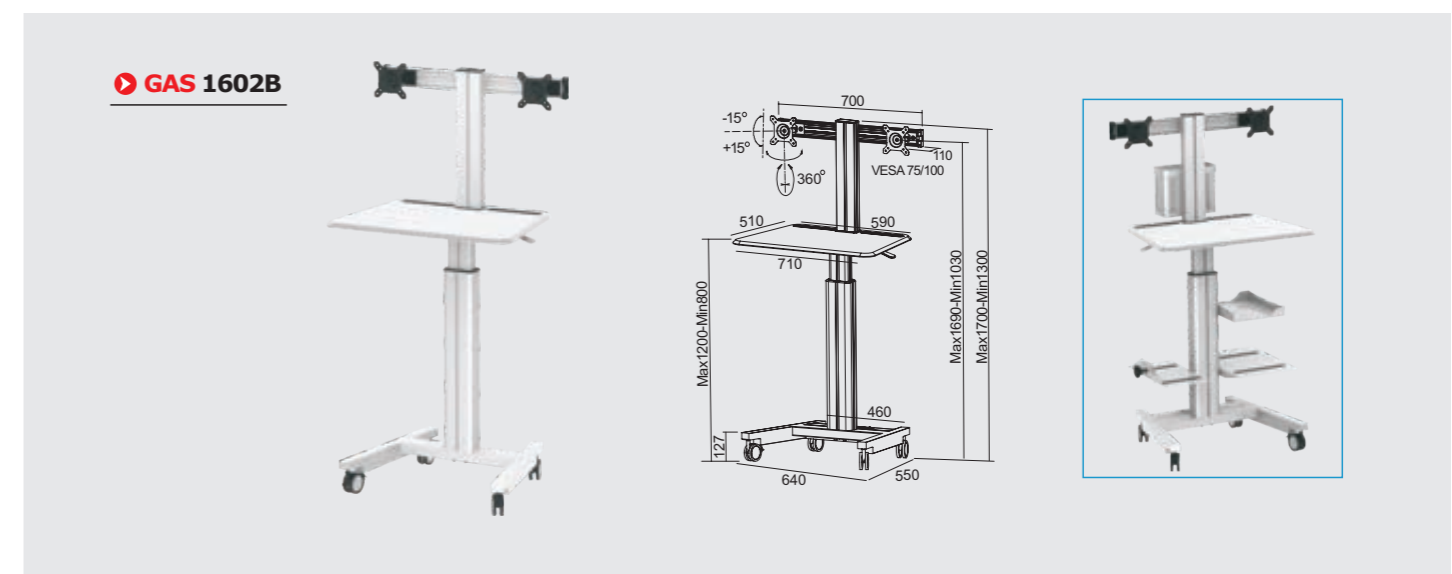
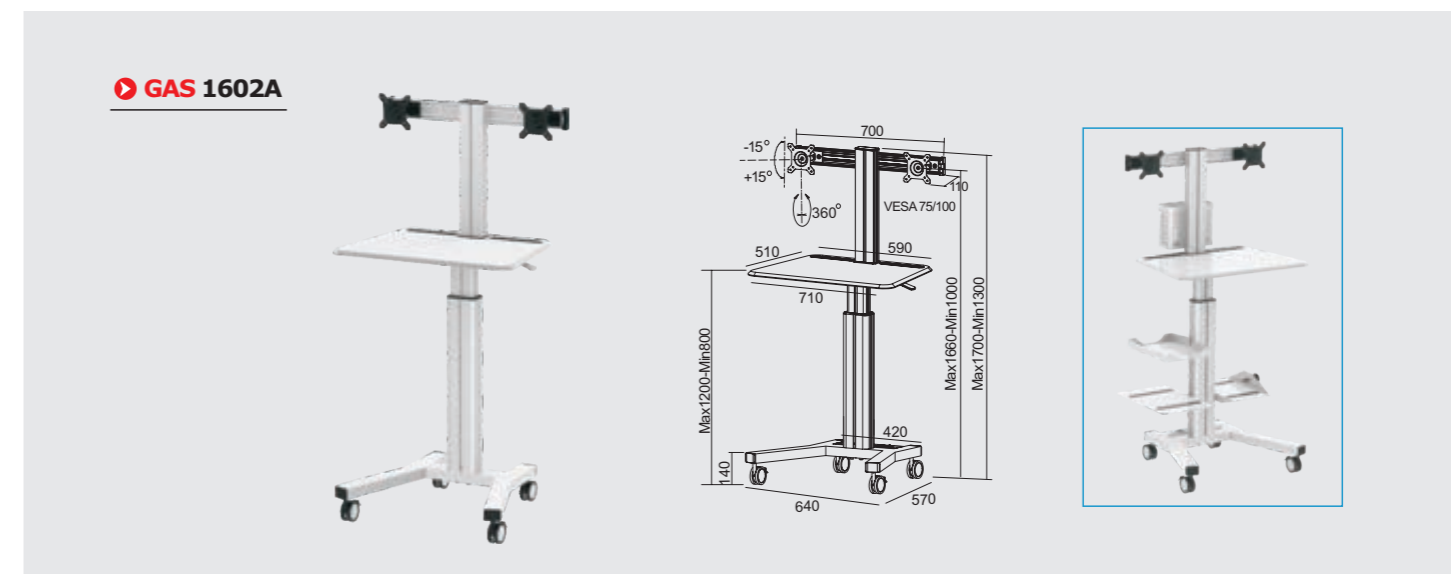
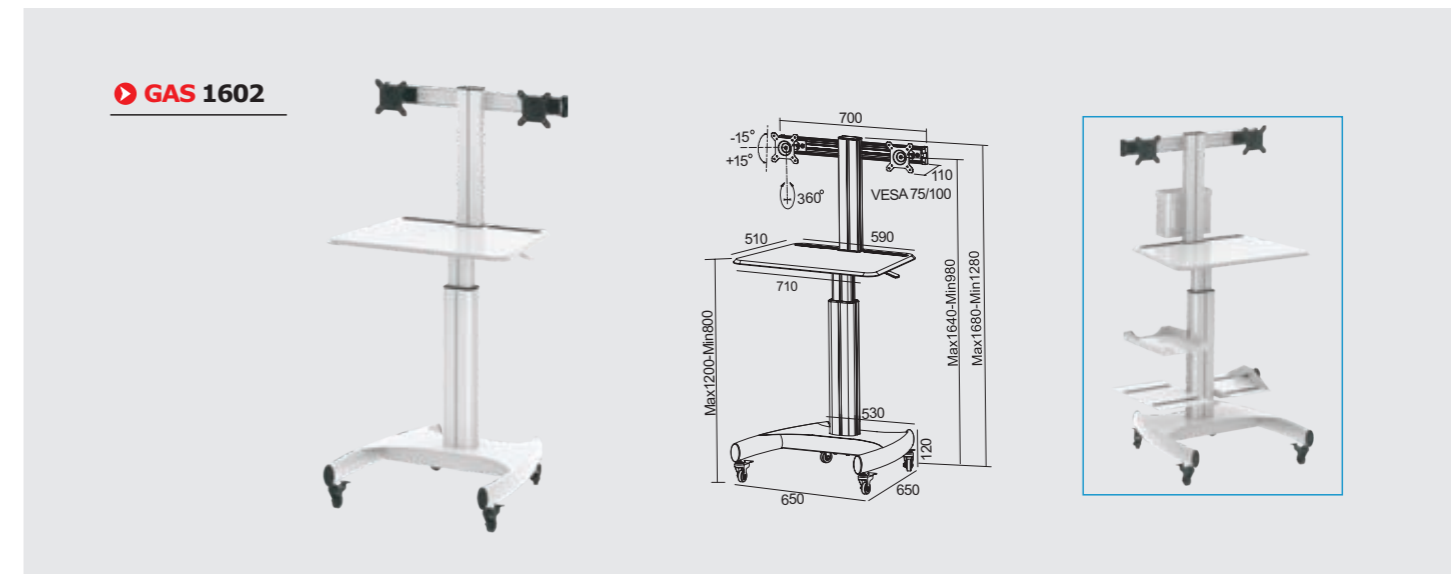
Product Details



Optional Part



Model	GAS 1602	GAS 1602A	GAS 1602B
Color	Silver / White / Black	Silver / White / Black	Silver / White / Black
Material	SPCC / Alu. / MDF / Gas Lift	SPCC / Alu. / MDF / Gas Lift	SPCC / Alu. / MDF / Gas Lift
VESA Standard	100*100 , 75*75	100*100 , 75*75	100*100 , 75*75
Suggest Size	10-24"	10-24"	10-24"
Loading Capacity on Monitor Mount	10kgs Per Mount	10kgs Per Mount	10kgs Per Mount
Loading Capacity on Keyboard Tray	10kgs	10kgs	10kgs
Loading Capacity on CPU Holder	20kgs	20kgs	20kgs
Loading Capacity on Storage Box	20kgs	20kgs	20kgs
Loading Capacity on Printer Shelf	20kgs	20kgs	20kgs
Power Rail	Optional on Base	Optional on Base	Optional on Base
Cable Management	Yes	Yes	Yes
Tilt Up & Down	-15° - +15°	-15° - +15°	-15° - +15°



Manual Mobile Tablet Workstation



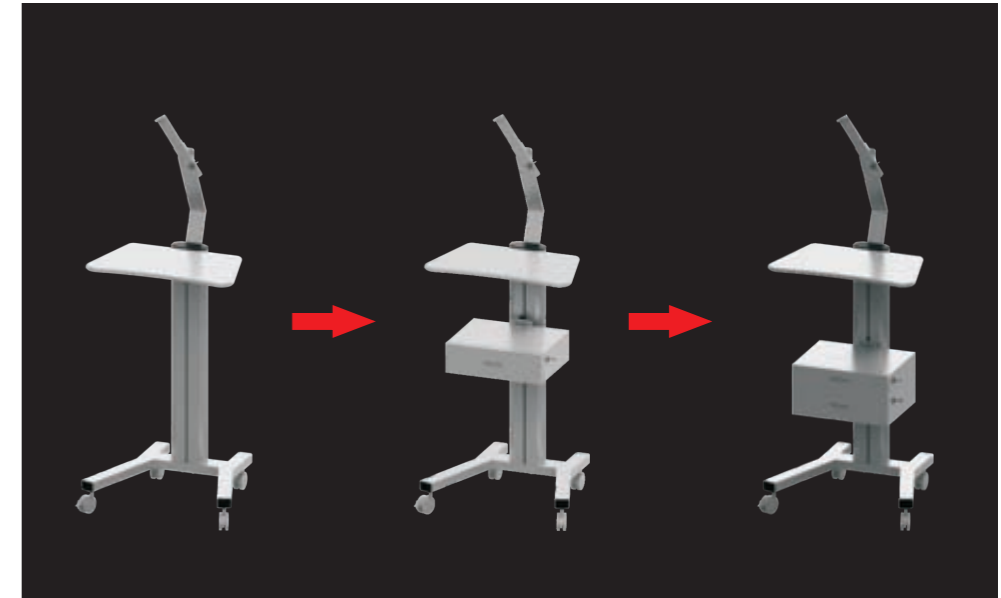
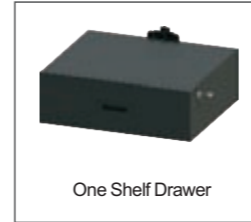
FUNCTION

MULTIFUNCTIONAL TABLET CART
多功能平板电脑推车

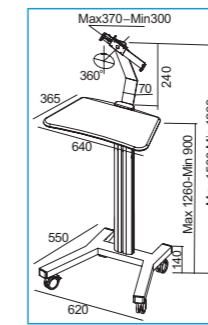
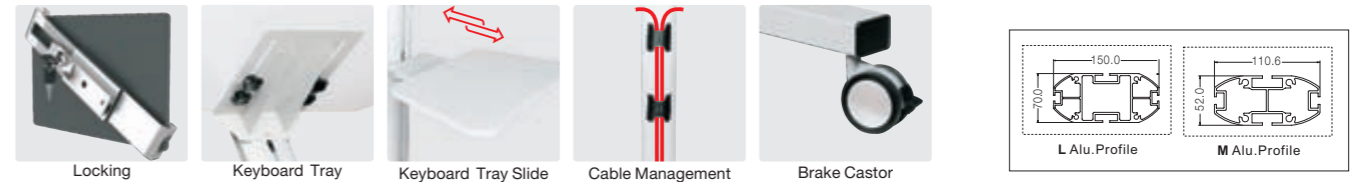
NEW
Product

Manual Mobile Tablet Workstation

Optional Part



Product Details



L Alu. Profile
Power Rail on Pillar



M Alu. Profile
Optional Power Rail on base

Model	Spec.
TB 1601	L Alu. Profile, Power Rail on Pillar
TB 1601S	M Alu. Profile, Power Rail Optional on base

Model	Suggest Size	Material	Color	Power Rail	Desktop Adjustable Height	Tablet Adjustbalet Height	Loading Capacity / Desktop	Loading Capacity / Printer Shelf	Loading Capacity / Storage Box	Loading Capacity / CPU Shelf	Tablet Orientation
TB 1601	10-13" Tablet	SPCC / Alu. / MDF	Black / Silver / White	4-port Built into Pillar	Min 900-Max 1260	Max 1560-Min 1260	20kgs	20kgs (Optional)	20kgs (Optional)	20kgs (Optional)	Portrait & Landscape
TB 1601S	10-13" Tablet	SPCC / Alu. / MDF	Black / Silver / White	Optional on Base	Min 900-Max 1260	Max 1560-Min 1260	20kgs	20kgs (Optional)	20kgs (Optional)	20kgs (Optional)	Portrait & Landscape

Manual Mobile Laptop / Computer Workstation

Easily convert your into a mobile office

Mobile computer carts is also suitable for hospitals. As a medical cart, it is widely used in registration, payment, nursing, ward round, surgery and other scenes. With the continuous development and innovation of Internet technology, medical cart has gradually become one of the very important equipment in hospitals. In particular, the reformed medical cart is not only guaranteed in quality, but also significantly improved in practicability and convenience.



FUNCTION

EASY OFFICE

轻松办公

Product Details

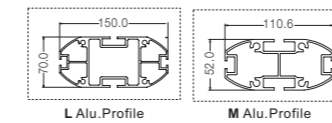


Optional Part

Available Mount on Front & Back of Pillar and Left & Right of Pillar



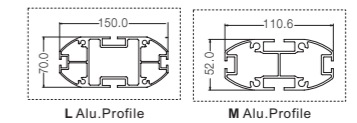
Manual Mobile Laptop / Computer Workstation



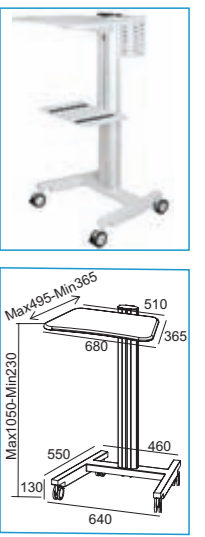
PC 1000
L Alu. Profile
Power Rail on Pillar



PC 1000S
M Alu. Profile
Optional Power Rail on base



PC 1000A
L Alu. Profile
Power Rail on Pillar



PC 1000AS
M Alu. Profile
Optional Power Rail on base

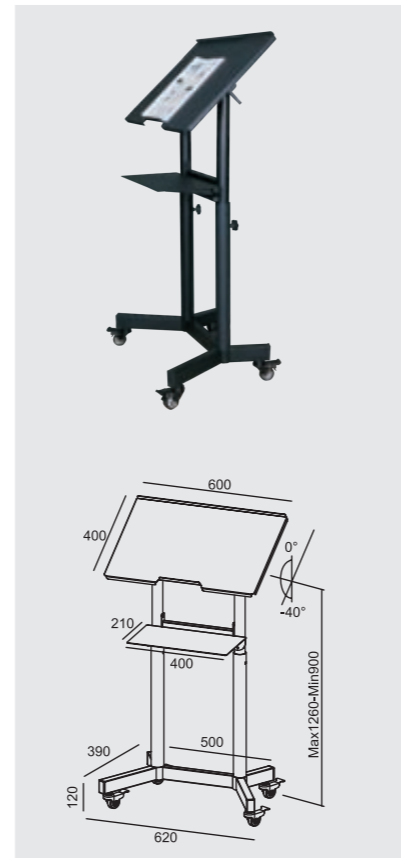
Model	PC 1000	PC 1000S	PC 1000A	PC 1000AS
Color	Silver / White / Black	Silver / White / Black	Silver / White / Black	Silver / White / Black
Material	SPCC / Alu. / MDF / Gas Lift	SPCC / Alu. / MDF / Gas Lift	SPCC / Alu. / MDF / Gas Lift	SPCC / Alu. / MDF / Gas Lift
Suggest Size	Up to 17" Laptop	Up to 17" Laptop	Up to 17" Laptop	Up to 17" Laptop
Loading Capacity on Keyboard Tray	20kgs	20kgs	20kgs	20kgs
Loading Capacity on Storage Box	20kgs	20kgs	20kgs	20kgs
Loading Capacity on Printer Shelf	20kgs	20kgs	20kgs	20kgs
Power Rail	Mount on Pillar	Optional on Base	Mount on Pillar	Optional on Base
Cable Management	Yes	Yes	Yes	Yes

Manual Mobile Laptop / Computer Workstation

Easy control of desktop with screw button 通过螺旋钮轻松控制桌面

NEW Product

FUNCTION
DESKTOP 0° - 40°
ADJUSTABLE
桌面可调0° - 40°



Model	Suggest Size	Material	Color	VESA Standard	Desktop Adjustable Height	Loading Capacity / Desktop	Loading Capacity / Storage Shelf	Power Rail	Cable Management
PC 2100	Up to 17" Laptop	SPCC	Black / Silver / White	N / A	Max 1260-Min 900	20kgs	10kgs	Optional on Base	Yes

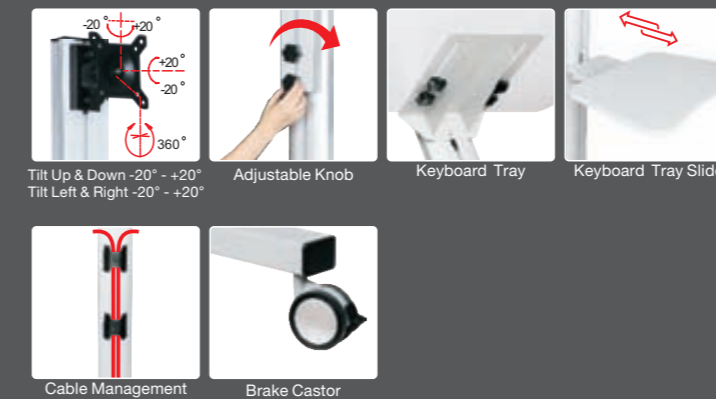
FUNCTION
SITTING & STANDING
ALTERNATION
坐立交替

Manual Mobile Laptop / Computer Workstation

Easily convert your into a mobile office 轻松将你的办公室变成移动办公室

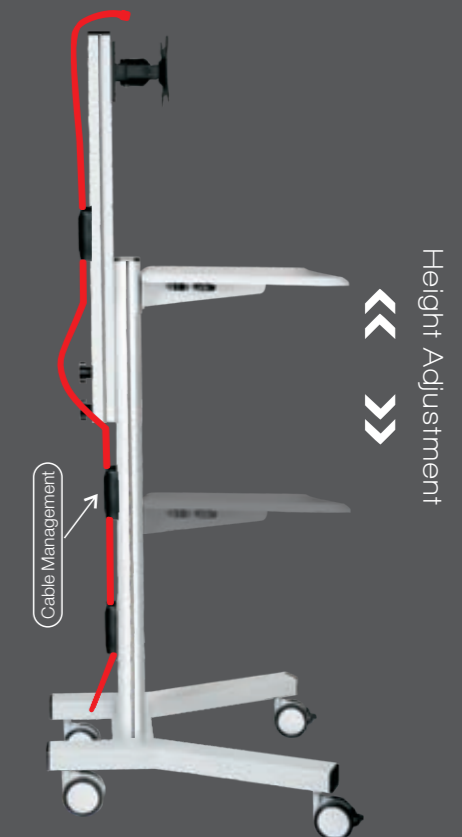


Product Details



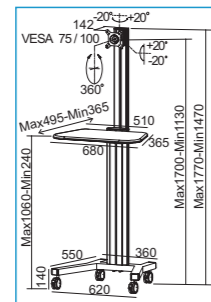
Optional Part

Available Mount on Front & Back of Pillar and Left & Right of Pillar



Manual Mobile Laptop / Computer Workstation

FUNCTION
SITTING & STANDING ALTERNATION
坐立交替

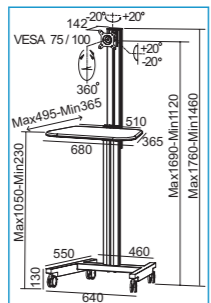
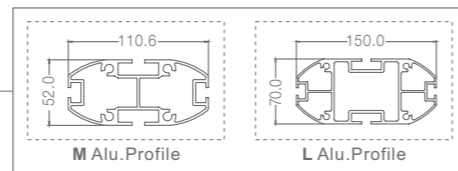


L Alu. Profile
Power Rail on Pillar



M Alu. Profile
Optional Power Rail on base

Model	Spec.
PC 1601	L Alu. Profile, Power Rail on Pillar
PC 1601S	M Alu. Profile, Power Rail Optional on base



L Alu. Profile
Power Rail on Pillar



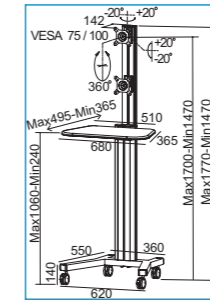
M Alu. Profile
Optional Power Rail on base

Model	Spec.
PC 1601A	L Alu. Profile, Power Rail on Pillar
PC 1601AS	M Alu. Profile, Power Rail Optional on base

Model	PC 1601	PC 1601S	PC 1601A	PC 1601AS
Color	Silver / White / Black	Silver / White / Black	Silver / White / Black	Silver / White / Black
Material	SPCC / Alu. / MDF	SPCC / Alu. / MDF	SPCC / Alu. / MDF	SPCC / Alu. / MDF
VESA Standard	100*100, 75*75	100*100, 75*75	100*100, 75*75	100*100, 75*75
Suggest Size	10-24"	10-24"	10-24"	10-24"
Loading Capacity on Monitor Mount	10kgs	10kgs	10kgs	10kgs
Loading Capacity on Keyboard Tray	20kgs	20kgs	20kgs	20kgs
Loading Capacity on CPU Holder	20kgs	20kgs	20kgs	20kgs
Loading Capacity on Storage Box	20kgs	20kgs	20kgs	20kgs
Loading Capacity on Printer Shelf	20kgs	20kgs	20kgs	20kgs
Power Rail	Mount on Pillar	Optional on Base	Mount on Pillar	Optional on Base
Cable Management	Yes	Yes	Yes	Yes
Tilt Left & Right	-20° - +20°	-20° - +20°	-20° - +20°	-20° - +20°
Tilt Up & Down	-20° - +20°	-20° - +20°	-20° - +20°	-20° - +20°

FUNCTION
TOP AND BOTTOM DOUBLE SCREEN
上下双屏

Manual Mobile Laptop / Computer Workstation

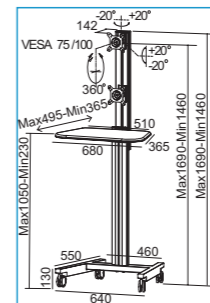
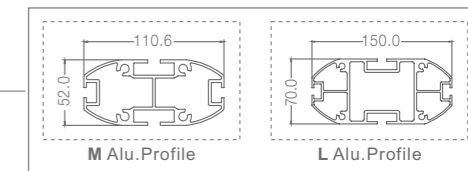


L Alu. Profile
Power Rail on Pillar



M Alu. Profile
Optional Power Rail on base

Model	Spec.
PC 1602A	L Alu. Profile, Power Rail on Pillar
PC 1602AS	M Alu. Profile, Power Rail Optional on base



L Alu. Profile
Power Rail on Pillar



M Alu. Profile
Optional Power Rail on base

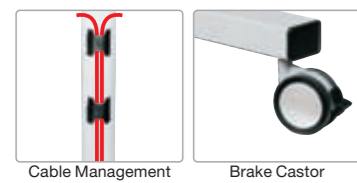
Model	Spec.
PC 1602AA	L Alu. Profile, Power Rail on Pillar
PC 1602AAS	M Alu. Profile, Power Rail Optional on base

Model	PC 1602A	PC 1602AS	PC 1602AA	PC 1602AAS
Color	Silver / White / Black	Silver / White / Black	Silver / White / Black	Silver / White / Black
Material	SPCC / Alu. / MDF	SPCC / Alu. / MDF	SPCC / Alu. / MDF	SPCC / Alu. / MDF
VESA Standard	100*100, 75*75	100*100, 75*75	100*100, 75*75	100*100, 75*75
Suggest Size	10-24"	10-24"	10-24"	10-24"
Loading Capacity on Monitor Mount	10kgs Per Mount	10kgs Per Mount	10kgs Per Mount	10kgs Per Mount
Loading Capacity on Keyboard Tray	20kgs	20kgs	20kgs	20kgs
Loading Capacity on CPU Holder	20kgs	20kgs	20kgs	20kgs
Loading Capacity on Storage Box	20kgs	20kgs	20kgs	20kgs
Loading Capacity on Printer Shelf	20kgs	20kgs	20kgs	20kgs
Power Rail	Mount on Pillar	Optional on Base	Mount on Pillar	Optional on Base
Cable Management	Yes	Yes	Yes	Yes
Tilt Left & Right	-20° - +20°	-20° - +20°	-20° - +20°	-20° - +20°
Tilt Up & Down	-20° - +20°	-20° - +20°	-20° - +20°	-20° - +20°

Manual Mobile Laptop / Computer Workstation

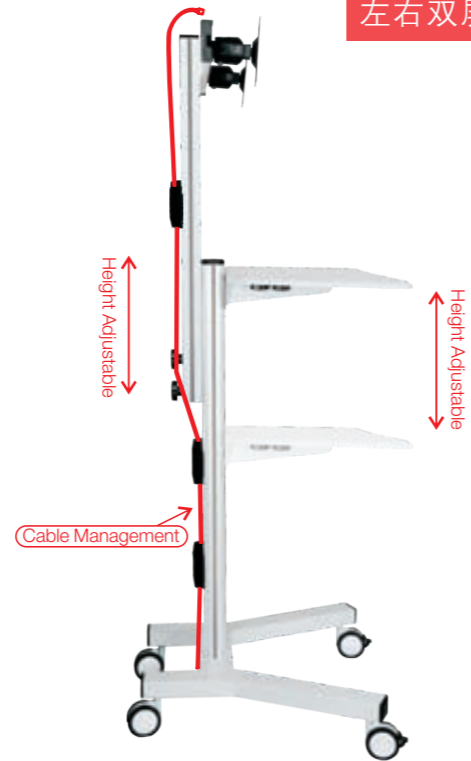
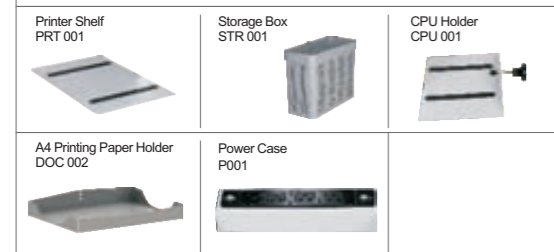
FUNCTION LEFT AND RIGHT DUAL SCREEN 左右双屏

Product Details



Optional Part

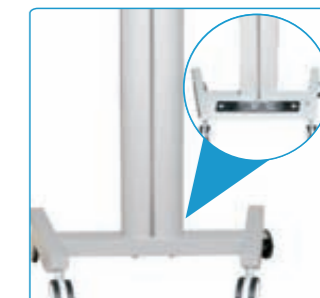
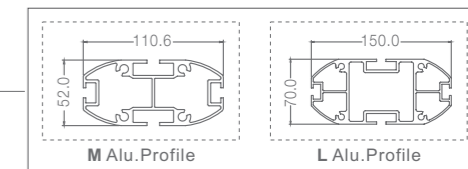
Available Mount on Front & Back of Pillar and Left & Right of Pillar



Manual Mobile Laptop / Computer Workstation



Model	Spec.
PC 1602B	L Alu. Profile, Power Rail on Pillar
PC 1602BS	M Alu. Profile, Power Rail Optional on base



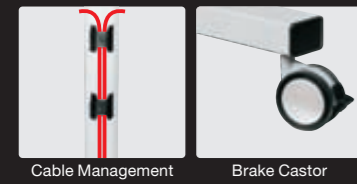
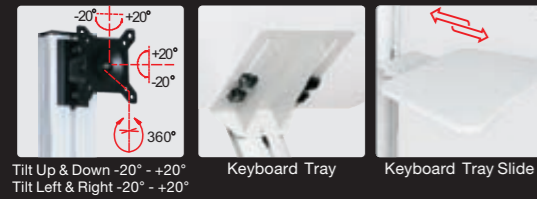
Model	Spec.
PC 1602BA	L Alu. Profile, Power Rail on Pillar
PC 1602BAS	M Alu. Profile, Power Rail Optional on base

Model	PC 1602B	PC 1602BS	PC 1602BA	PC 1602BAS
Color	Silver / White / Black	Silver / White / Black	Silver / White / Black	Silver / White / Black
Material	SPCC / Alu. / MDF	SPCC / Alu. / MDF	SPCC / Alu. / MDF	SPCC / Alu. / MDF
VESA Standard	100*100, 75*75	100*100, 75*75	100*100, 75*75	100*100, 75*75
Suggest Size	10-24"	10-24"	10-24"	10-24"
Loading Capacity on Monitor Mount	10kgs Per Mount	10kgs Per Mount	10kgs Per Mount	10kgs Per Mount
Loading Capacity on Keyboard Tray	20kgs	20kgs	20kgs	20kgs
Loading Capacity on CPU Holder	20kgs	20kgs	20kgs	20kgs
Loading Capacity on Storage Box	20kgs	20kgs	20kgs	20kgs
Loading Capacity on Printer Shelf	20kgs	20kgs	20kgs	20kgs
Power Rail	Mount on Pillar	Optional on Base	Mount on Pillar	Optional on Base
Cable Management	Yes	Yes	Yes	Yes
Tilt Left & Right	-20° - +20°	-20° - +20°	-20° - +20°	-20° - +20°
Tilt Up & Down	-20° - +20°	-20° - +20°	-20° - +20°	-20° - +20°

Manual Mobile Laptop / Computer Workstation

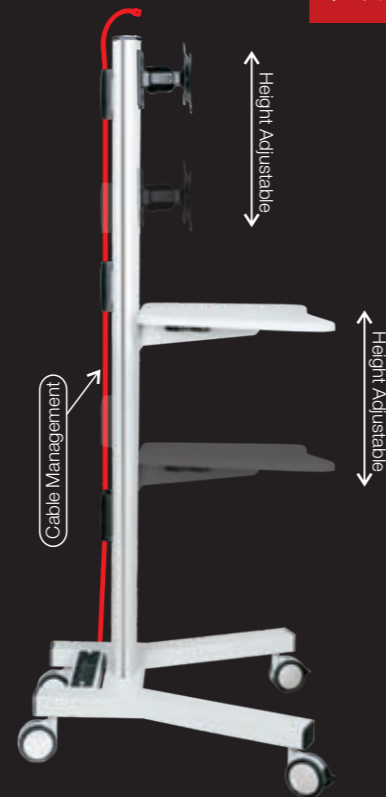
FUNCTION
HIGH QUALITY ALUMINUM
 优质铝材

Product Details



Optional Part

Available Mount on Front & Back of Pillar and Left & Right of Pillar



Manual Mobile Laptop / Computer Workstation

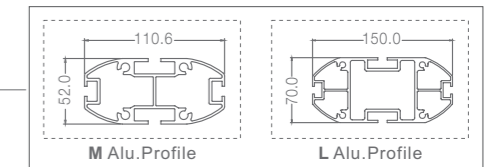


L Alu. Profile
 Power Rail on Pillar



M Alu. Profile
 Optional Power Rail on base

Model	Spec.
PCM 1201	L Alu. Profile, Power Rail on Pillar
PCM 1201S	M Alu. Profile, Power Rail Optional on base



L Alu. Profile
 Power Rail on Pillar



M Alu. Profile
 Optional Power Rail on base

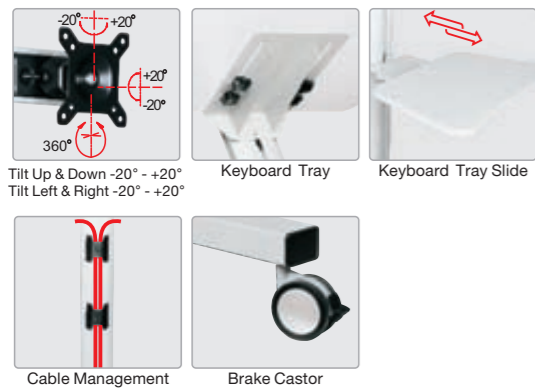
Model	Spec.
PCM 1201A	L Alu. Profile, Power Rail on Pillar
PCM 1201AS	M Alu. Profile, Power Rail Optional on base

Model	PCM 1201	PCM 1201S	PCM 1201A	PCM 1201AS
Color	Silver / White / Black	Silver / White / Black	Silver / White / Black	Silver / White / Black
Material	SPCC / Alu. / MDF	SPCC / Alu. / MDF	SPCC / Alu. / MDF	SPCC / Alu. / MDF
VESA Standard	100*100, 75*75	100*100, 75*75	100*100, 75*75	100*100, 75*75
Suggest Size	10-24"	10-24"	10-24"	10-24"
Loading Capacity on Monitor Mount	10kgs Per Mount	10kgs Per Mount	10kgs Per Mount	10kgs Per Mount
Loading Capacity on Keyboard Tray	20kgs	20kgs	20kgs	20kgs
Loading Capacity on CPU Holder	20kgs	20kgs	20kgs	20kgs
Loading Capacity on Storage Box	20kgs	20kgs	20kgs	20kgs
Loading Capacity on Printer Shelf	20kgs	20kgs	20kgs	20kgs
Power Rail	Mount on Pillar	Optional on Base	Mount on Pillar	Optional on Base
Cable Management	Yes	Yes	Yes	Yes
Tilt Left & Right	-20° ~ +20°	-20° ~ +20°	-20° ~ +20°	-20° ~ +20°
Tilt Up & Down	-20° ~ +20°	-20° ~ +20°	-20° ~ +20°	-20° ~ +20°

Manual Mobile Laptop / Computer Workstation

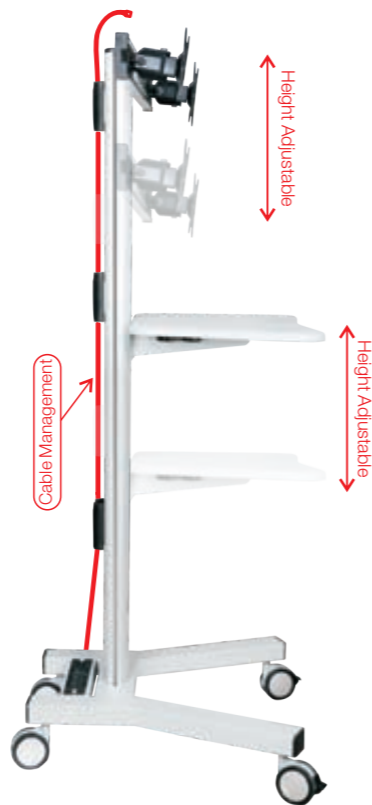


Product Details



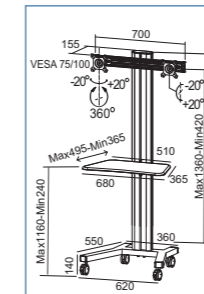
Optional Part

Available Mount on Front & Back of Pillar and Left & Right of Pillar		
Printer Shelf PRT 001	Storage Box STR 001	CPU Holder CPU 001
A4 Printing Paper Holder DOC 002	Power Case P001	



FUNCTION

DOUBLE EFFICIENCY
双倍效率



L Alu. Profile
Power Rail on Pillar

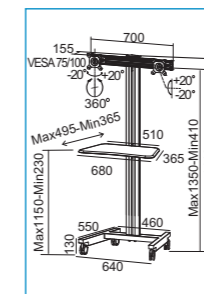
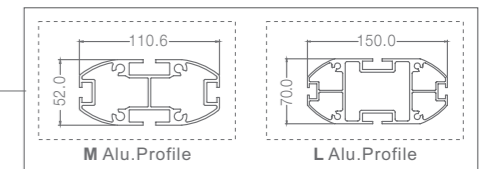


M Alu. Profile
Optional Power Rail on base

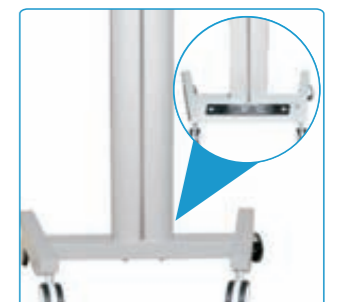
Model Spec.

PCM 1202 L Alu. Profile, Power Rail on Pillar

PCM 1202S M Alu. Profile, Power Rail Optional on base



L Alu. Profile
Power Rail on Pillar



M Alu. Profile
Optional Power Rail on base

Model Spec.

PCM 1202A L Alu. Profile, Power Rail on Pillar

PCM 1202AS M Alu. Profile, Power Rail Optional on base

Model	PCM 1202	PCM 1202S	PCM 1202A	PCM 1202AS
Color	Silver / White / Black	Silver / White / Black	Silver / White / Black	Silver / White / Black
Material	SPCC / Alu. / MDF	SPCC / Alu. / MDF	SPCC / Alu. / MDF	SPCC / Alu. / MDF
VESA Standard	100*100, 75*75	100*100, 75*75	100*100, 75*75	100*100, 75*75
Suggest Size	10-24"	10-24"	10-24"	10-24"
Loading Capacity on Monitor Mount	10kgs Per Mount	10kgs Per Mount	10kgs Per Mount	10kgs Per Mount
Loading Capacity on Keyboard Tray	20kgs	20kgs	20kgs	20kgs
Loading Capacity on CPU Holder	20kgs	20kgs	20kgs	20kgs
Loading Capacity on Storage Box	20kgs	20kgs	20kgs	20kgs
Loading Capacity on Printer Shelf	20kgs	20kgs	20kgs	20kgs
Power Rail	Mount on Pillar	Optional on Base	Mount on Pillar	Optional on Base
Cable Management	Yes	Yes	Yes	Yes
Tilt Left & Right	-20° - +20°	-20° - +20°	-20° - +20°	-20° - +20°
Tilt Up & Down	-20° - +20°	-20° - +20°	-20° - +20°	-20° - +20°

Manual Desktop Monitor Mount

Simple assembly, Suitable For Most Scenarios
简单的组装, 适用于大多数场景

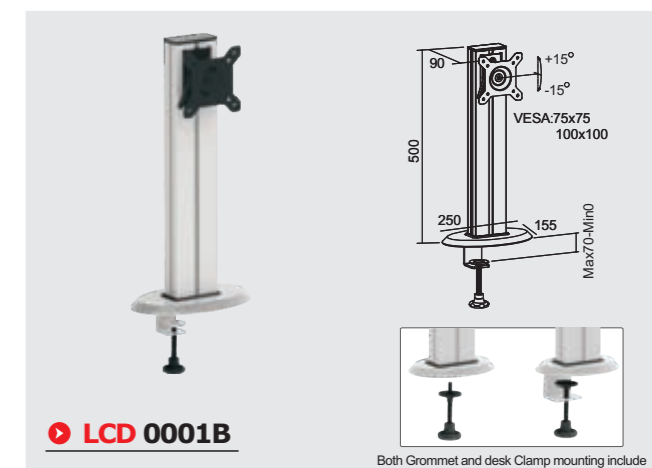
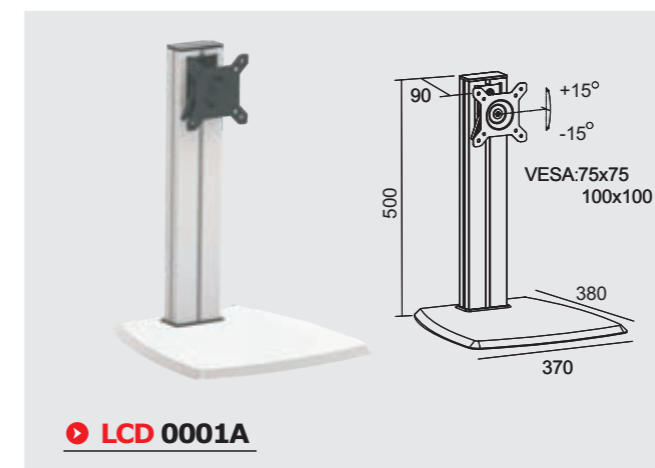
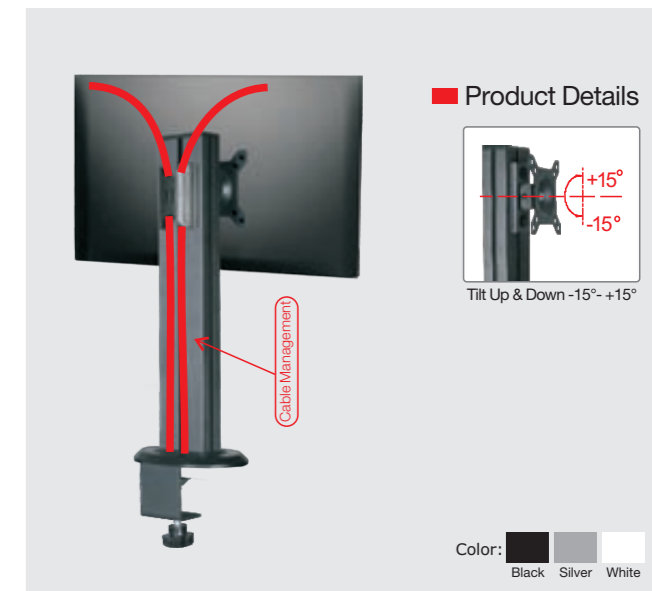
FUNCTION

- Table
- Grommet
- Clamp



Multi Monitor Aluminum Desk Mount

Manual Desktop Monitor Mount



Model	Suggest Size	Material	Loading Capacity	VESA Standard	Height Adjustment	Tilt Up & Down	Table / Grommet / Clamp
LCD 0001A	10-32"	Alu. / Metal / Plastic	8 kgs Per Mount	75*75 / 100*100,200*100 Optionl	Yes	-15° - +15°	Table Stand
LCD 0001B	10-32"	Alu. / Metal / Plastic	8 kgs Per Mount	75*75 / 100*100,200*100 Optionl	Yes	-15° - +15°	Grommet / Clamp
LCD 0002A1	10-32"	Alu. / Metal / Plastic	8 kgs Per Mount	75*75 / 100*100,200*100 Optionl	Yes	-15° - +15°	Table Stand
LCD 0002A2	10-32"	Alu. / Metal / Plastic	8 kgs Per Mount	75*75 / 100*100,200*100 Optionl	Yes	-15° - +15°	Grommet / Clamp

Manual Desktop Monitor Mount

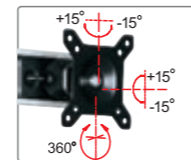
TWO-SCREEN DISPLAY

FUNCTION

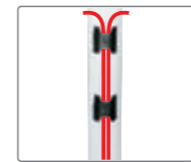
- Table
- Grommet
- Clamp



Product Details



Tilt Up & Down -15° - +15°



Cable Management

Color: Black Silver White

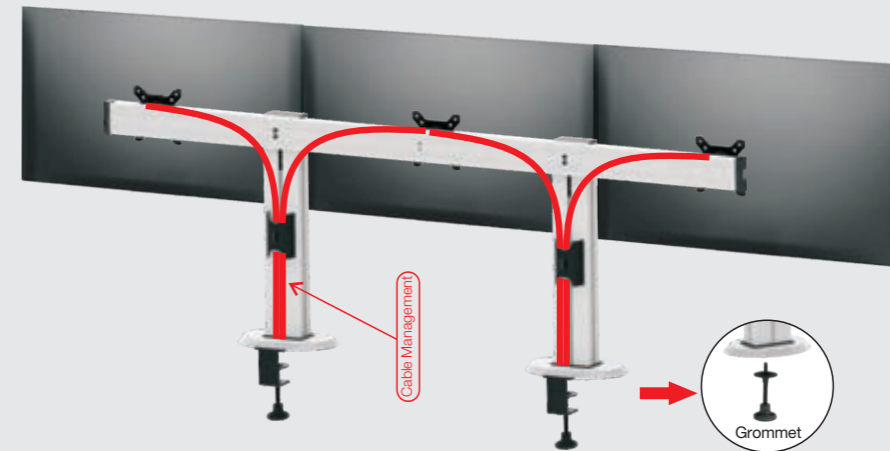


Grommet

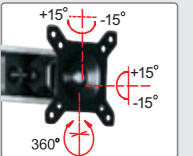
FUNCTION

- Table
- Grommet
- Clamp

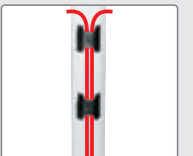
Three-SCREEN DISPLAY



Product Details



Tilt Up & Down -15° - +15°

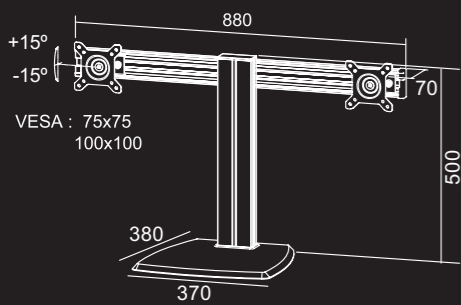


Cable Management

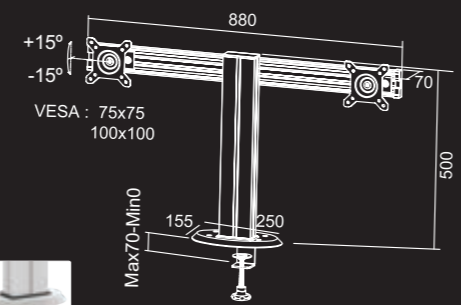
Color: Black Silver White



Grommet

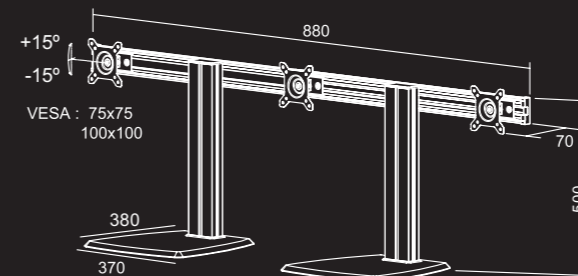


▶ LCD 0002B1

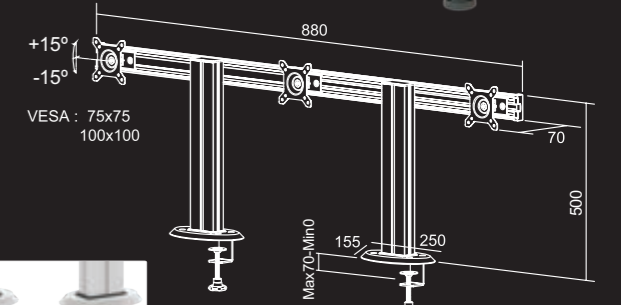


▶ LCD 0002B2

Both Grommet and desk Clamp Mounting Include



▶ LCD 0003A



▶ LCD 0003B

Both Grommet and desk Clamp mounting include

Model	Suggest Size	Material	Loading Capacity	VESA Standard	Height Adjustment	Tilt Up & Down	Table / Grommet / Clamp
LCD 0002B1	10-32"	Alu. / Metal / Plastic	8 kgs Per Mount	75*75 / 100*100,200*100 Optionl	Yes	-15° - +15°	Table Stand
LCD 0002B2	10-32"	Alu. / Metal / Plastic	8 kgs Per Mount	75*75 / 100*100,200*100 Optionl	Yes	-15° - +15°	Grommet / Clamp

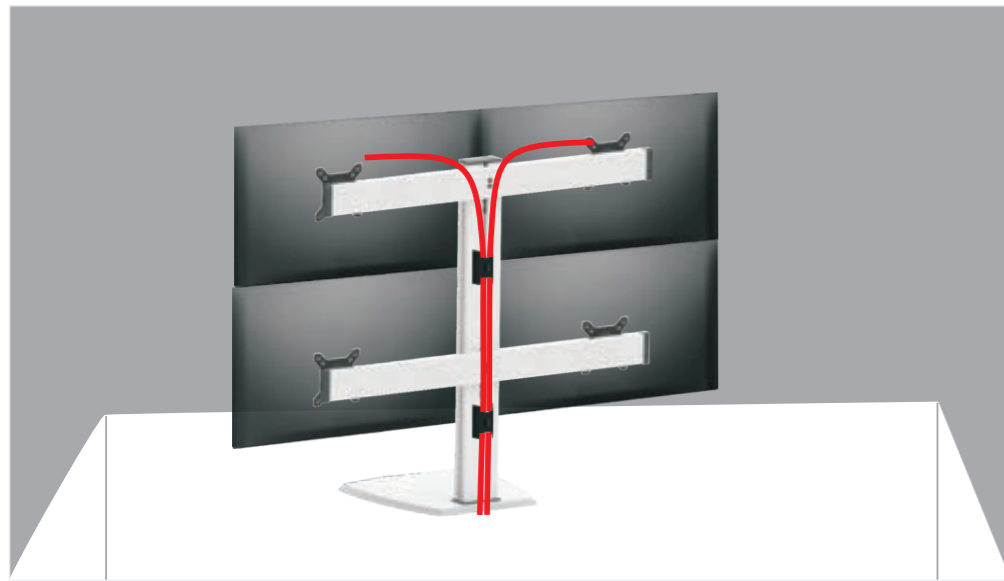
Model	Suggest Size	Material	Loading Capacity	VESA Standard	Height Adjustment	Tilt Up & Down	Table / Grommet / Clamp
LCD 0003A	10-32"	Alu. / Metal / Plastic	8 kgs Per Mount	75*75 / 100*100,200*100 Optionl	Yes	-15° - +15°	Table Stand
LCD 0003B	10-32"	Alu. / Metal / Plastic	8 kgs Per Mount	75*75 / 100*100,200*100 Optionl	Yes	-15° - +15°	Grommet / Clamp

Manual Desktop Monitor Mount

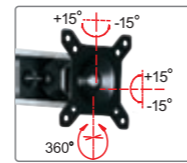
FOUR-SCREEN DISPLAY

FUNCTION

- Table
- Grommet
- Clamp

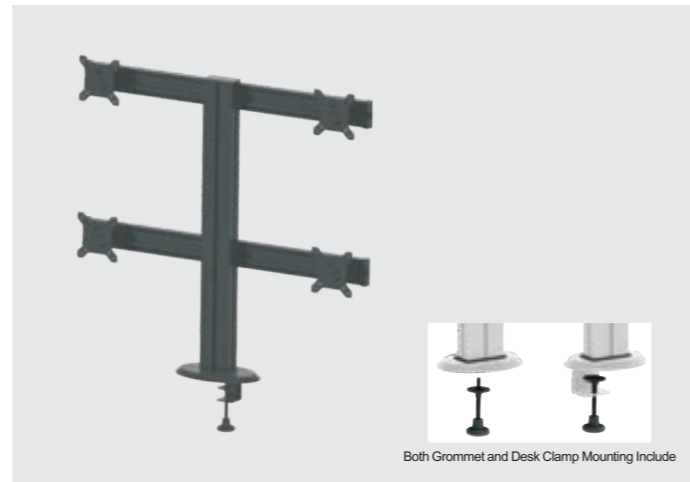
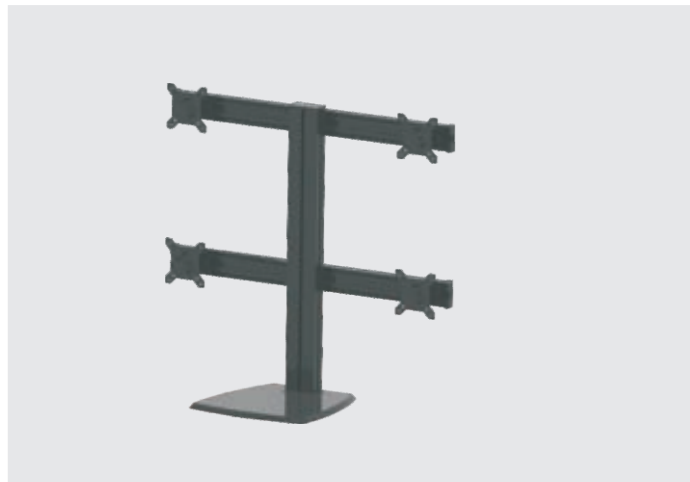


Product Details

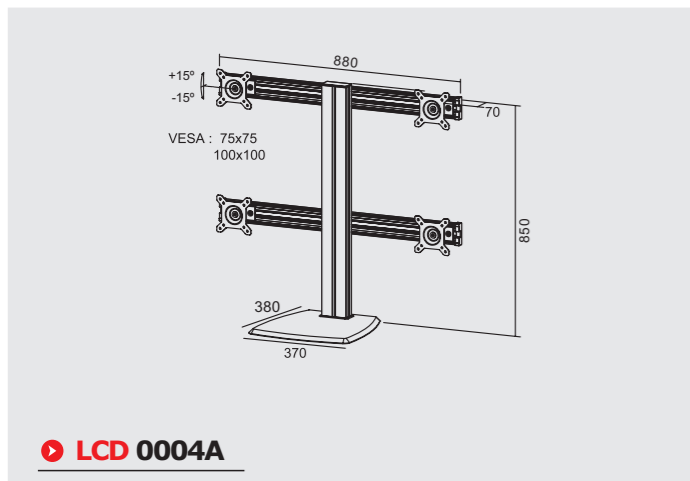


Tilt Up & Down -15° - +15°

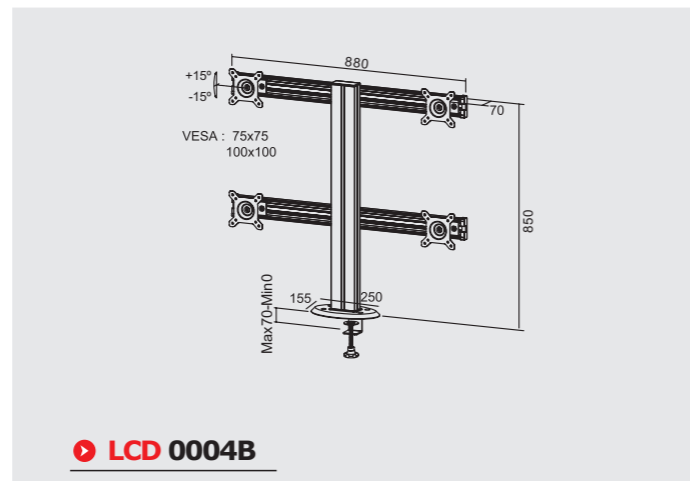
Color: Black Silver White



Both Grommet and Desk Clamp Mounting Include



▶ LCD 0004A



▶ LCD 0004B

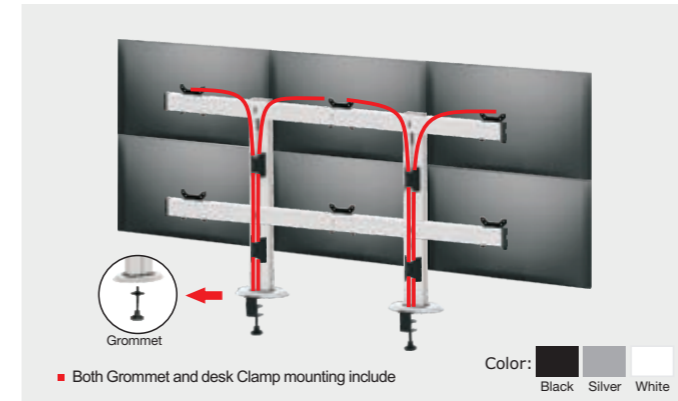
Model	Suggest Size	Material	Loading Capacity	VESA Standard	Height Adjustment	Tilt Up & Down	Table / Grommet / Clamp
LCD 0004A	10-32"	Alu. / Metal / Plastic	8 kgs Per Mount	75*75 / 100*100,200*100 Optionl	Yes	-15° - +15°	Table Stand
LCD 0004B	10-32"	Alu. / Metal / Plastic	8 kgs Per Mount	75*75 / 100*100,200*100 Optionl	Yes	-15° - +15°	Grommet / Clamp

Manual Desktop Monitor Mount

SIX-SCREEN DISPLAY

FUNCTION

- Table
- Grommet
- Clamp

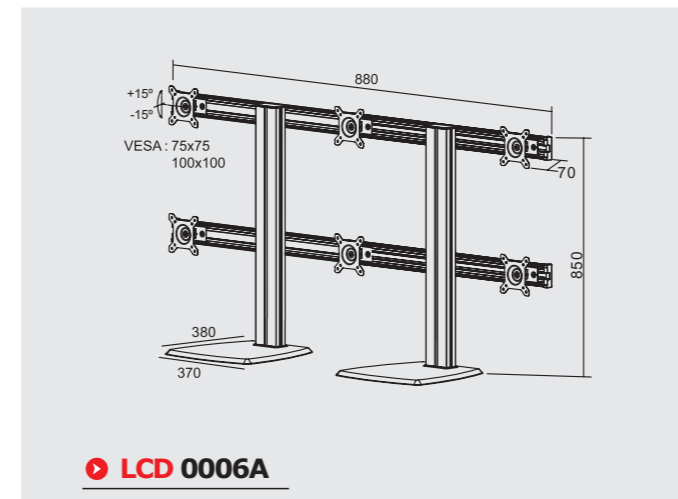


Both Grommet and desk Clamp mounting include

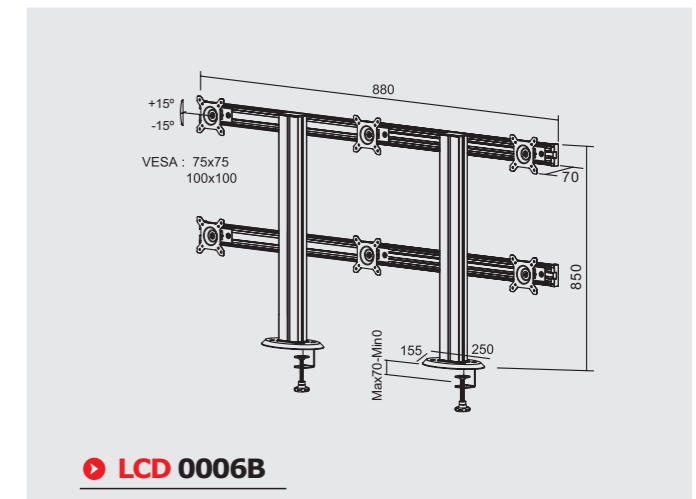
Color: Black Silver White



Both Grommet and desk Clamp mounting include



▶ LCD 0006A



▶ LCD 0006B

Model	Suggest Size	Material	Loading Capacity	VESA Standard	Height Adjustment	Tilt Up & Down	Table / Grommet / Clamp
LCD 0004A	10-32"	Alu. / Metal / Plastic	8 kgs Per Mount	75*75 / 100*100,200*100 Optionl	Yes	-15° - +15°	Table Stand
LCD 0004B	10-32"	Alu. / Metal / Plastic	8 kgs Per Mount	75*75 / 100*100,200*100 Optionl	Yes	-15° - +15°	Grommet / Clamp

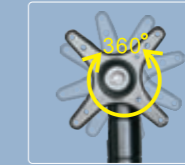
FUNCTION

**ALUMINUM
DESKTOP
MOUNT**

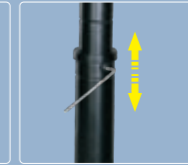
**Manual
Desktop Monitor Mount**

Monitor Aluminum Desktop Mount

Product Details



Free Rotation



Height Adjustable



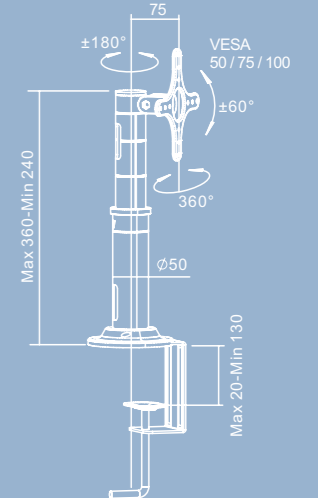
Cable Management



Grommet



Clamp



LCD 100A

Technical Parameter

Suggest Size : 10-24"	Loading Capacity : 10kgs
Height Adjustable : Yes	Tilt Up & Down : ±60°
VESA Standard : 50 / 75 / 100	Tilt Up & Right : ±180°
Material : Alu. / Metal / Plastic / SPCC	Color : Silver / Black

Manual Desktop Monitor Mount

FUNCTION

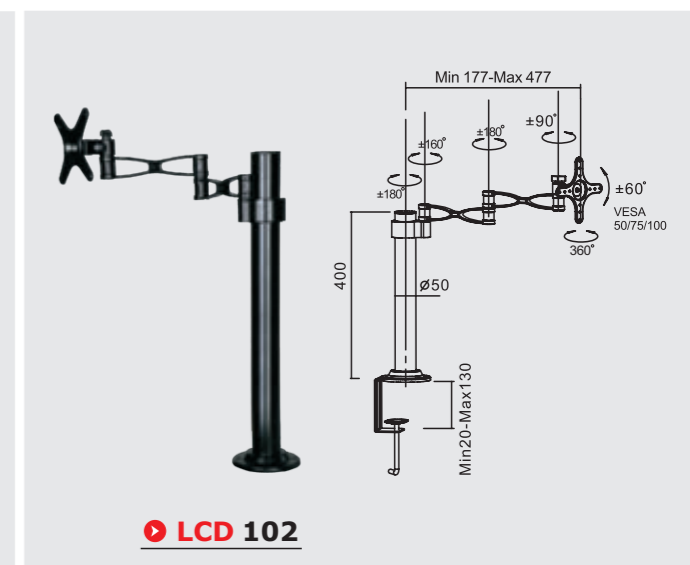
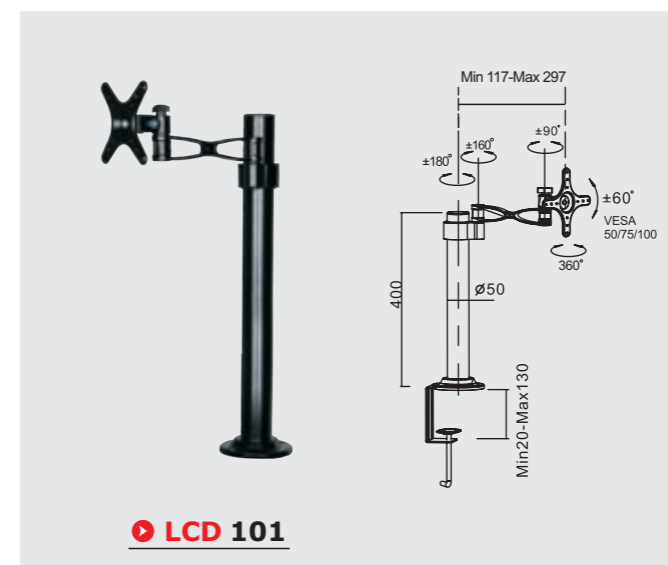
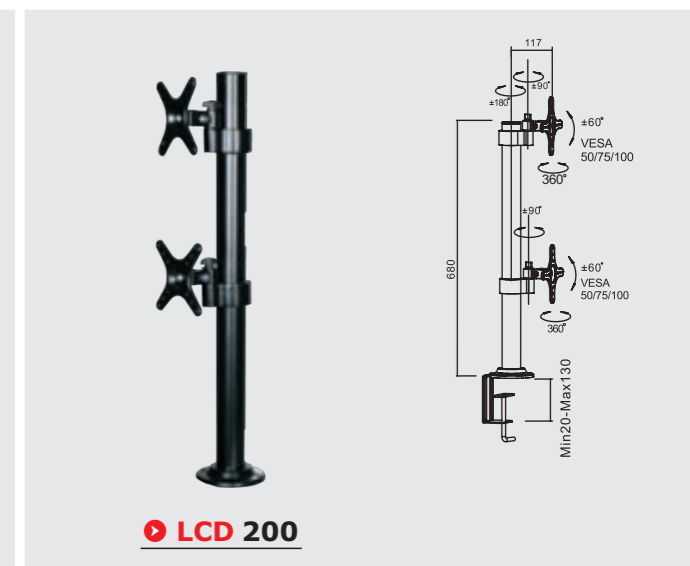
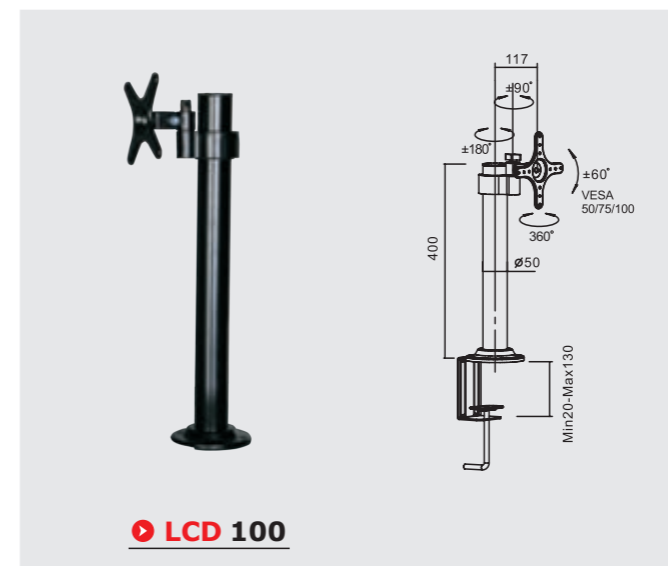
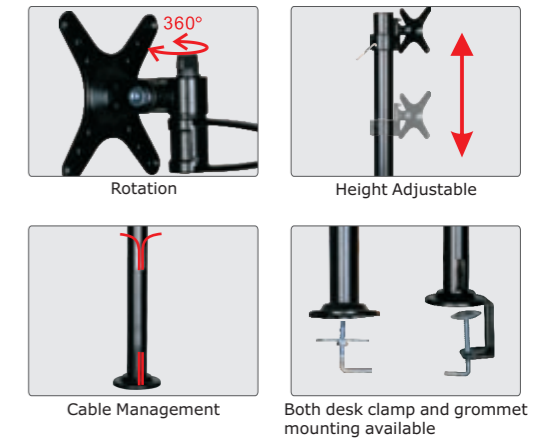
FREE ROTATION
自由旋转



Enables swivel rotation and tilt to match different viewing angle needs

Manual Desktop Monitor Mount

Product Details



Model	Suggest Size	Material	Color	Loading Capacity	VESA Standard	Height Adjustment	Tilt Up & Down	Tilt Up & Right
LCD 100	10-24"	Alu. / Metal / Plastic / SPCC	Black / Silver	10kgs Per Mount	50 / 75 / 100	Yes	±60°	±180°
LCD 200	10-24"	Alu. / Metal / Plastic / SPCC	Black / Silver	10kgs Per Mount	50 / 75 / 100	Yes	±60°	±180°
LCD 101	10-24"	Alu. / Metal / Plastic / SPCC	Black / Silver	10kgs Per Mount	50 / 75 / 100	Yes	±60°	±180°
LCD 102	10-24"	Alu. / Metal / Plastic / SPCC	Black / Silver	10kgs Per Mount	50 / 75 / 100	Yes	±60°	±180°

Manual Desktop Monitor Mount

FUNCTION

MULTISCREEN COMBINATION 多屏组合



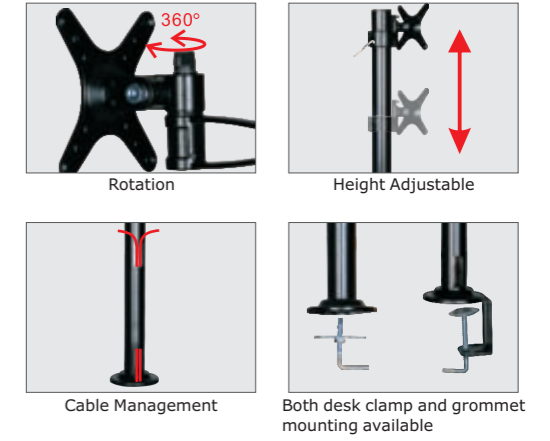
CAN BE PILED TOGETHER FOR MULTIPLE MONITOR SOLUTION

Model	Suggest Size	Material	Color	Loading Capacity	VESA Standard	Height Adjustment	Tilt Up & Down	Tilt Up & Right
LCD 202	10-24"	Alu. / Metal / Plastic / SPCC	Black / Silver	10kgs Per Mount	50 / 75 / 100	Yes	±60°	±180°
LCD 272	10-24"	Alu. / Metal / Plastic / SPCC	Black / Silver	10kgs Per Mount	50 / 75 / 100	Yes	±60°	±180°
LCD 402	10-24"	Alu. / Metal / Plastic / SPCC	Black / Silver	10kgs Per Mount	50 / 75 / 100	Yes	±60°	±180°

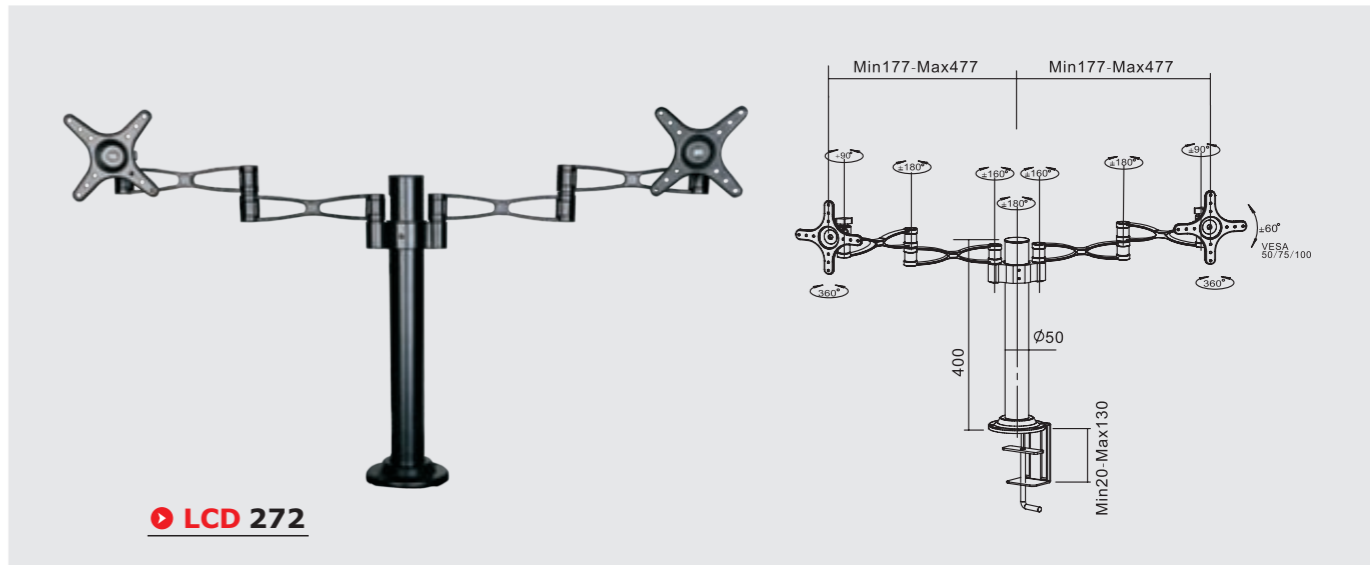
Enables swivel rotation and tilt to match different viewing angle needs

Manual Desktop Monitor Mount

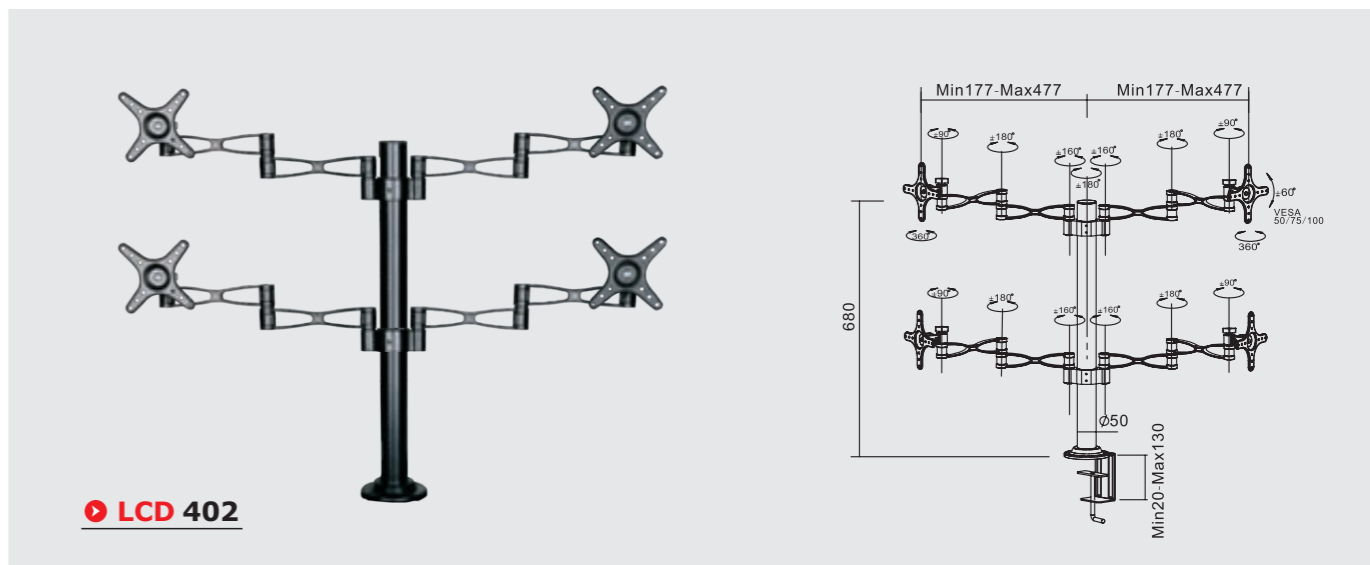
Product Details



LCD 202



LCD 272



LCD 402

Gas Lift Desktop / Wall Monitor Mount

Office Ergonomic Experience



Product Details



Swivel



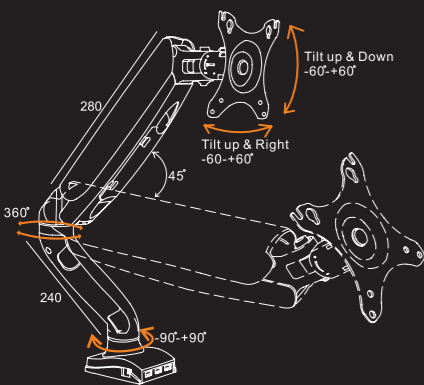
USB Hub Integrated Optional



Cable Management



Both Grommet and Desk Clamp Mounting Available



LCD 3001

Technical Parameter

Suggest Size : 10-24"	VESA Standard : 75*75 / 100*100	Tilt up Down : -60° - $+60^{\circ}$
Material : Alu. / Metal / Gas Lift	Loading Capacity : 3-8kgs Per Mount	
Tilt Left & Right : -60° - $+60^{\circ}$	Cable Management : Yes	

FUNCTION

ROTATE ARM

旋转支架

Gas Lift Desktop / Wall Monitor Mount



Product Details



Cable Management



Cable Management



Both Grommet and Desk Clamp Mounting Available



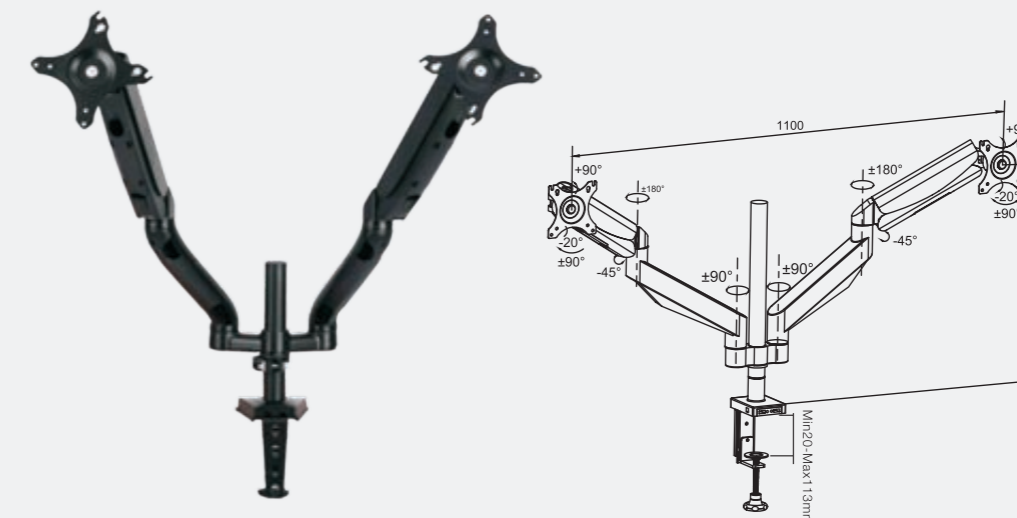
USB & MIC integrated Optional



$\pm 180^{\circ}$



Swivel

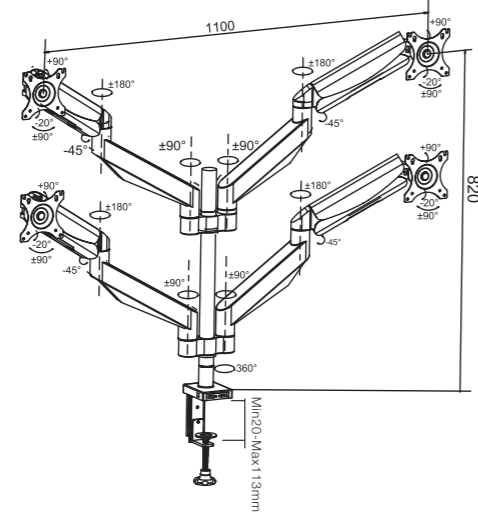


LCD 3002

Model	Suggest Size	Material	VESA Standard	Loading Capacity	Tilt up & Right	Tilt up Down	Cable Management
LCD 3002	10-24"	Alu. / Metal / Gas Lift	75*75 / 100*100	3-8kgs Per Mount	-60° - $+60^{\circ}$	-60° - $+60^{\circ}$	Yes



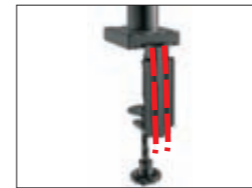
► LCD 3004



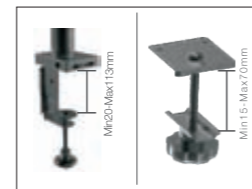
Product Details



Cable Management



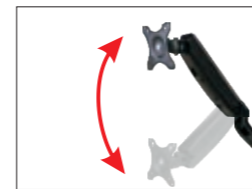
Cable Management



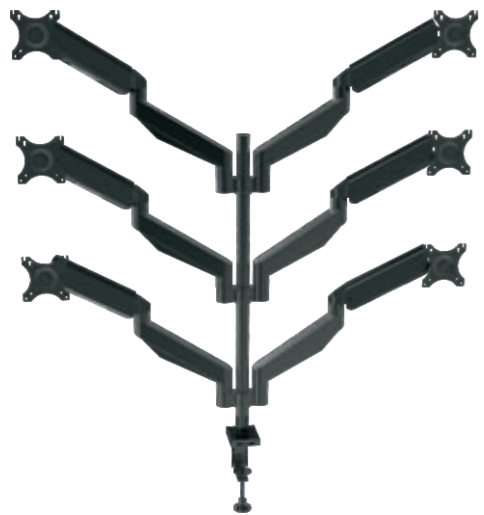
Both Grommet and Desk Clamp Mounting Available



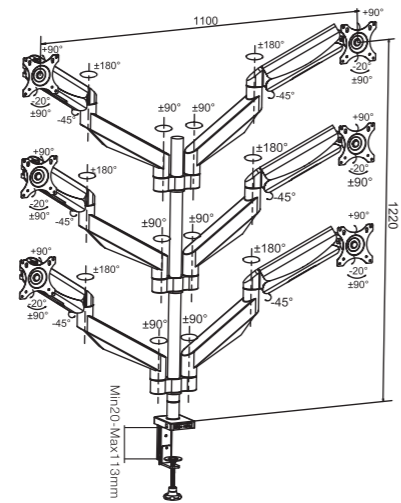
USB & MIC integrated Optional



Swivel



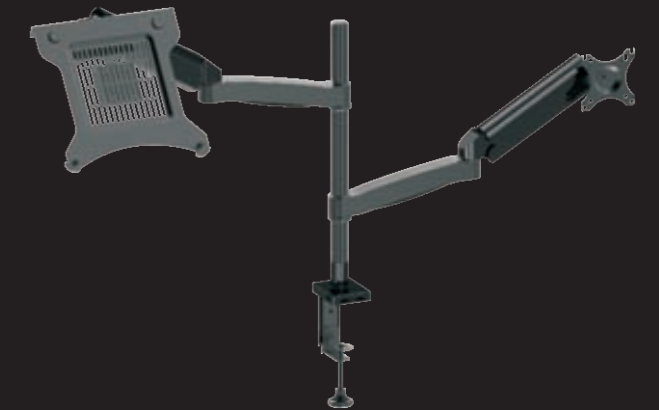
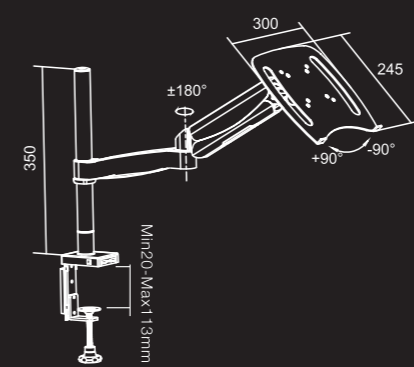
► LCD 3006



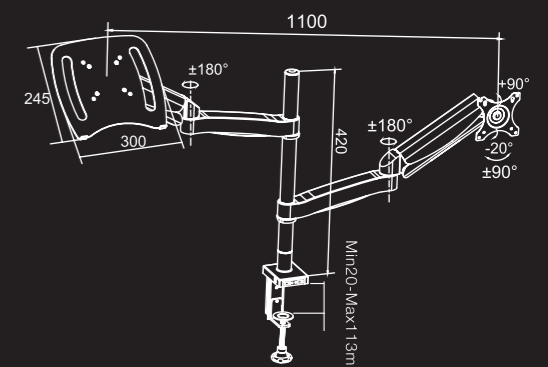
MULTI-FUNCTION
LAPTOP ARM
多功能笔记本电脑臂



► LCD 3001N



► LCD 3002N



Model	Suggest Size	Material	VESA Standard	Loading Capacity	Tilt up & Right	Tilt up Down	Cable Management
LCD 3004	10-24"	Alu. / Metal / Gas Lift	75*75 / 100*100	3-8kgs Per Mount	-60° - +60°	-60° - +60°	Yes
LCD 3006	10-24"	Alu. / Metal / Gas Lift	75*75 / 100*100	3-8kgs Per Mount	-60° - +60°	-60° - +60°	Yes

Model	Suggest Size	Material	Loading Capacity	Tilt up & Right	Cable Management	VESA Standard
LCD 3001N	12-17"	Alu. / Metal / Gas Lift	3-8kgs Per Mount	-90° - +90°	Yes	No
LCD 3002N	10-24" / 12-17"	Alu. / Metal / Gas Lift	3-8kgs Per Mount	-90° - +90°	Yes	75*75 / 100*100

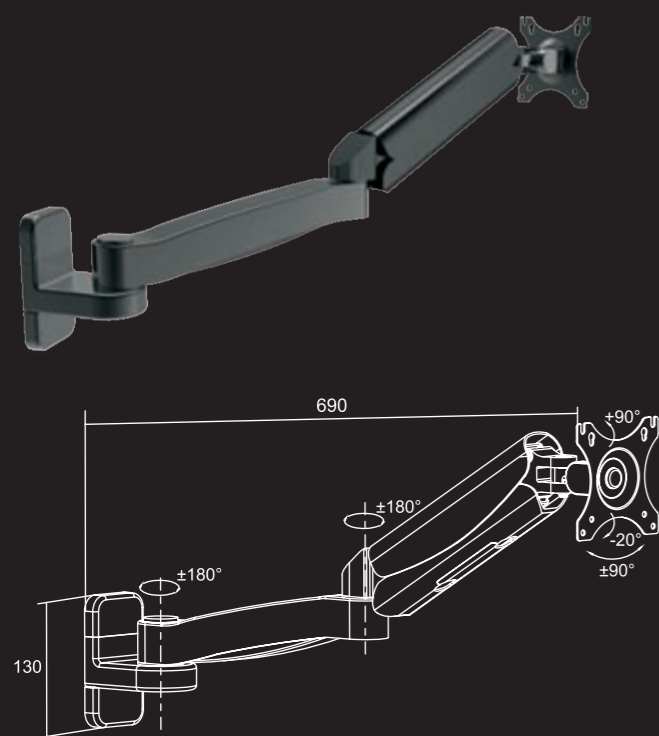


**MONITOR
RETRACTABLE**

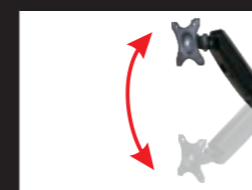
显示器可伸缩



Product Details



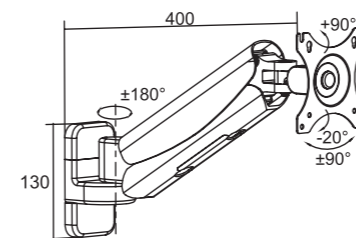
► **LCD W001**



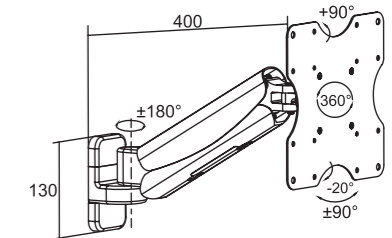
Swivel



Cable Management



► **LCD W002**

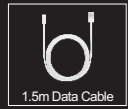


► **LCD W003**

Model	Suggest Size	Material	VESA Standard	Loading Capacity	Tilt up & Right	Tilt up Down	Cable Management
LCD W001	10-24"	Alu. / Metal / Gas Lift	75*75 / 100*100	3-8kgs Per Mount	-90° - +90°	-20° - +20°	Yes
LCD W002	10-24"	Alu. / Metal / Gas Lift	75*75 / 100*100	3-8kgs Per Mount	-90° - +90°	-20° - +20°	Yes
LCD W003	10-32"	Alu. / Metal / Gas Lift	Max 200*200	25kgs Per Mount	-90° - +90°	-20° - +20°	Yes

iPad / Tablet Wall Mount

The iPad or tablet mount or stand is a simple and easy to use digital stand that can be used in a comfortable way. iPad or tablet mount or stand focuses on user experience. Excellent structural design, based on ergonomics and human-machine



1.5m Data Cable

We could select the iPad Size which is suit for ourselves according to personal requirement.

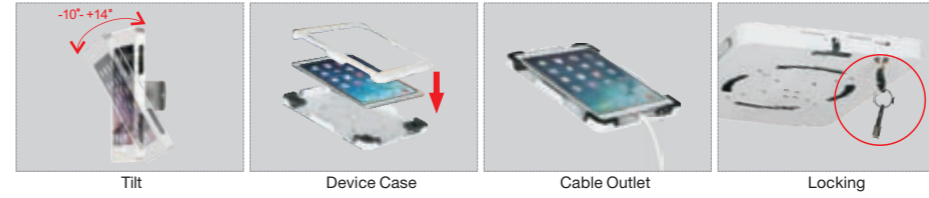


FUNCTION

WALL MOUNTED

壁挂式支架

Product Details



Technical Parameter

Rotation / Tilt / Locking	Material : SPCC
Charging Cable Optional	
Color : Silver / Black / White	
Compatible Devices : Optional	



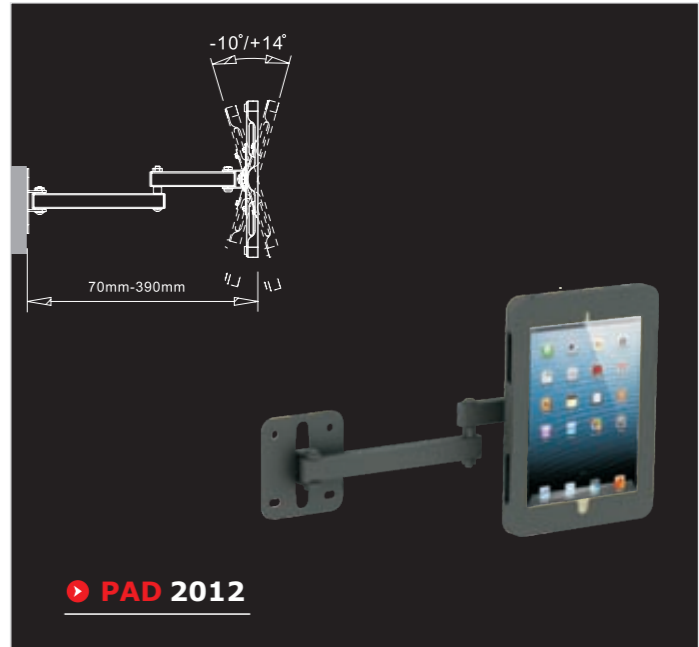
▶ PAD 2000



▶ PAD 2010



▶ PAD 2011



▶ PAD 2012

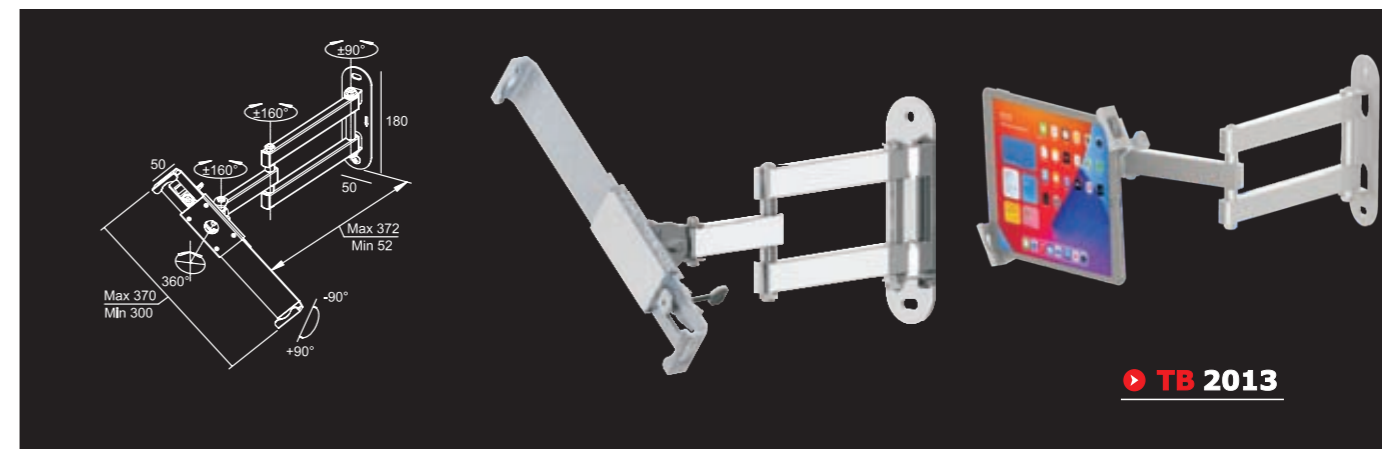
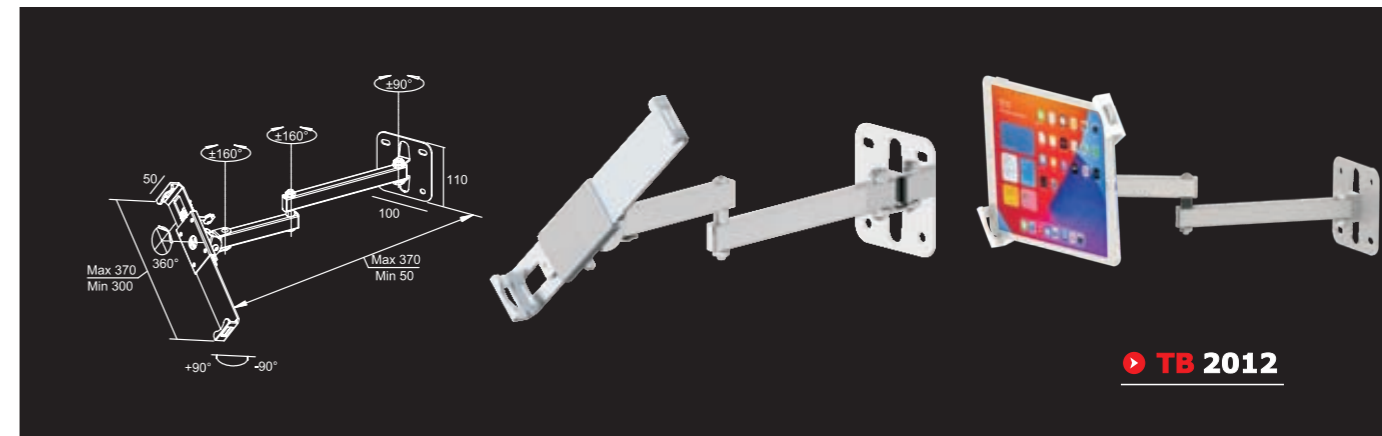
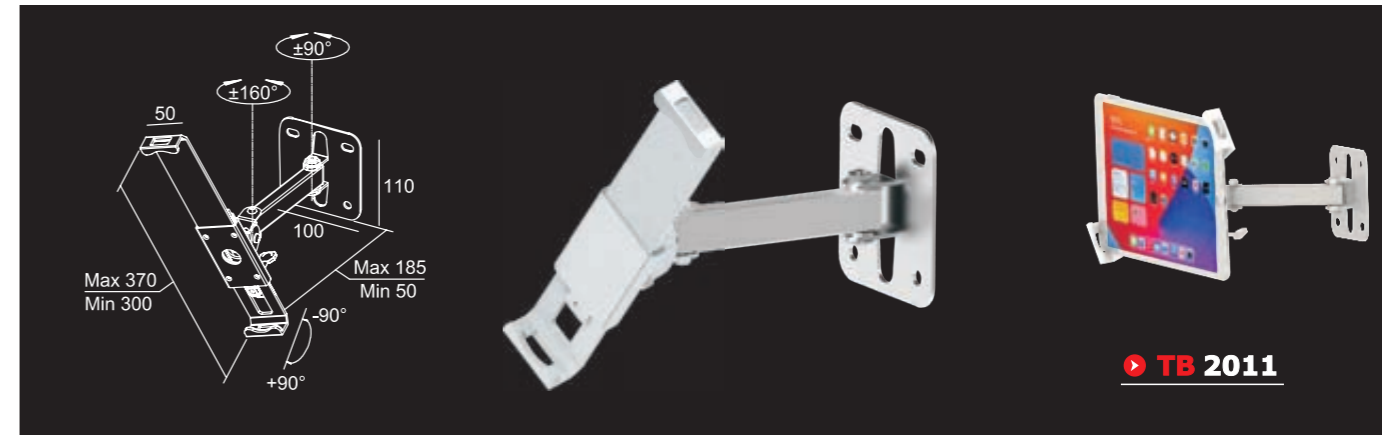
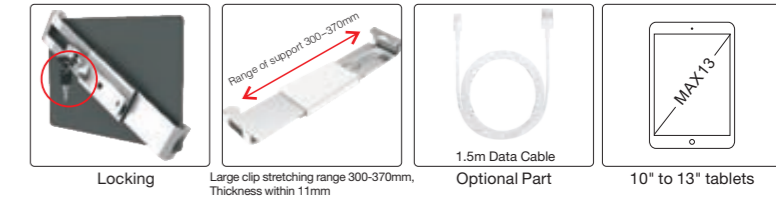


NEW
Product

Technical Parameter

Color : Silver / Black / White	Material : SPCC+Alu
Compatible Devices : Optional	Charging Cable Optional
Rotation / Tilt / Locking	Size:10-13" Tablet

Product Details



iPad / Tablet Table Stand

FUNCTION
ROUND METAL TUBE PROFILE
 圆形金属型材



FUNCTION
 • Table Stand
 • Grommet
 • Clamp

iPad / Tablet Table Stand



We could select the iPad Size which is suit for ourselves according to personal requirement.

IP 2-3-4 265x210x21mm	IP 9.7" 265x194x21mm	IP 10.2" 275x199x21mm	IP 10.5" 275x199x21mm	IP 12.9" 330*245x21mm
---------------------------------	--------------------------------	---------------------------------	---------------------------------	---------------------------------

Technical Parameter

Color : Silver / Black / White	Material : SPCC+Alu
Compatible Devices : Optional	Charging Cable Optional
Rotation / Tilt / Locking	



Technical Parameter

Color : Silver / Black / White	Material : SPCC+Alu
Compatible Devices : Optional	Charging Cable Optional
Rotation / Tilt / Locking	

PAD 004A

PAD 004A1

PAD 004A2

Product Details

Rotation & Tilt

Device Case

Cable Outlet

Locking

Optional Part

PAD 004C
Square Metal Tube Profile

PAD 004B1
Alu. Profile Table Stand

PAD 004B2

iPad / Tablet Table Stand

Round Metal Tube Profile

FUNCTION

- Table Stand
- Grommet
- Clamp



Large clip stretching range 300-370mm, Thickness within 11mm

Technical Parameter


Color : Silver / Black / White	Material : SPCC+Alu
Compatible Devices : Optional	Charging Cable Optional
Rotation / Tilt / Locking	Size:10-13" Tablet



Square Metal Tube Profile

FUNCTION

- Table Stand
- Grommet
- Clamp



Large clip stretching range 300-370mm, Thickness within 11mm

Technical Parameter

Color : Silver / Black / White	Material : SPCC+Alu
Compatible Devices : Optional	Charging Cable Optional
Rotation / Tilt / Locking	Size:10-13" Tablet




TB 004A: Hole for security screw

TB 004A1: MDF Base

TB 004A2: Both Grommet and Desk Clamp Mounting Include

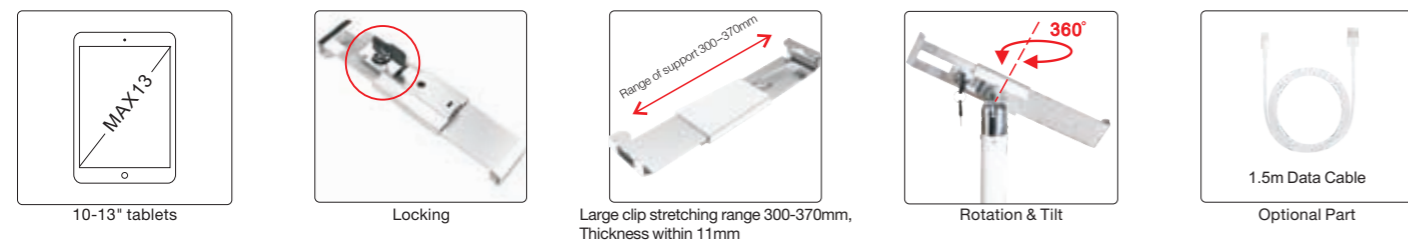


TB 004C: Hole for Security Screw

TB 004B1: MDF Base

TB 004B2: Both Grommet and Desk Clamp Mounting Include

Product Details



10-13" tablets

Locking


Large clip stretching range 300-370mm, Thickness within 11mm

Rotation & Tilt

Optional Part

1.5m Data Cable

Product Details



10-13" tablets

Locking

Large clip stretching range 300-370mm, Thickness within 11mm

Rotation & Tilt

Optional Part

1.5m Data Cable

iPad / Tablet Table Stand

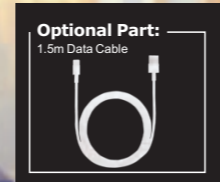
iPad / Tablet Floor Stand

Desktop Multi-function Stand

FUNCTION

ALU.PROFILE

铝立柱



We could select the iPad Size which is suit for ourselves according to personal requirement.

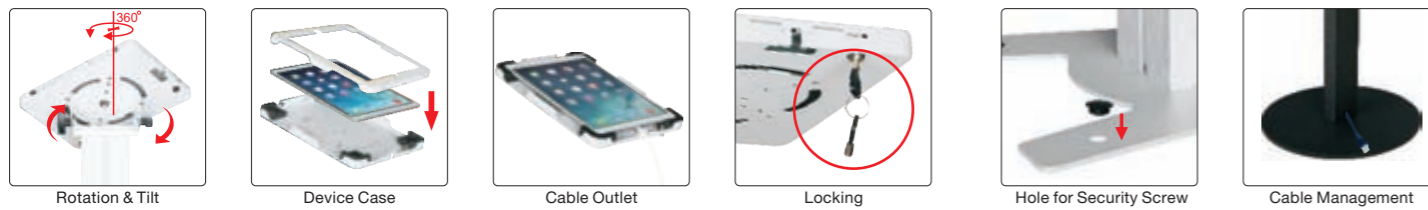


Technical Parameter

Color : Silver / Black / White Material : SPCC+Alu
 Compatible Devices : Optional Charging Cable Optional
 Rotation / Tilt / Locking



Product Details



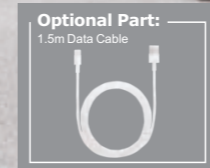
iPad / Tablet Floor Stand

Round Metal Tube Profile

FUNCTION

TELESCOPIC TUBE

伸缩管



We could select the iPad Size which is suit for ourselves according to personal requirement.

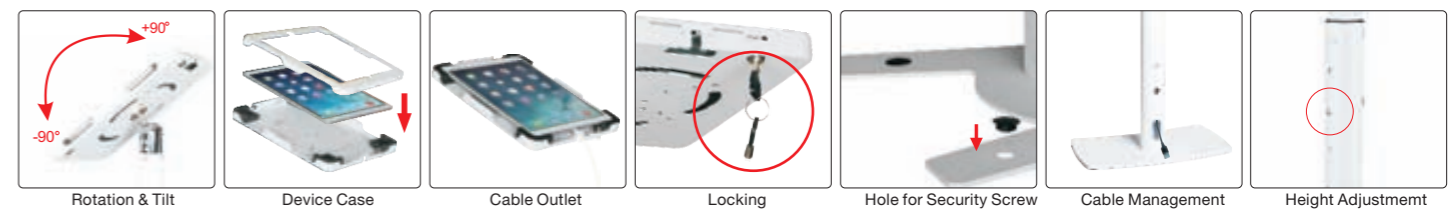


Technical Parameter

Color : Silver / Black / White Material : SPCC+Alu
 Compatible Devices : Optional Charging Cable Optional
 Rotation / Tilt / Locking



Product Details



iPad / Tablet Floor Stand

Round Metal Tube Profile

FUNCTION
TELESCOPIC TUBE
伸缩管

NEW Product

Large clip stretching range 300-370mm, Thickness within 11mm

Cable Management

Technical Parameter	
Color : Silver / Black / White	Material : SPCC+Alu
Compatible Devices : Optional	Charging Cable Optional
Rotation / Tilt / Locking	Size: 10-13" Tablet

TB 002A

TB 002B

TB 002C

Product Details

10" to 13" tablets Locking Large clip stretching range 300-370mm, Thickness within 11mm Rotation & Tilt Height Adjustment Hole for Security Screw Optional Part

FUNCTION
SQUARE METAL TUBE PROFILE
方形金属管

Anti-theft tablet/iPad Floor Stand

iPad / Tablet Floor Stand

Optional Part:
1.5m Data Cable

We could select the iPad Size which is suit for ourselves according to personal requirement.

iP 2-3-4 265x210x21mm	iP 9.7" 265x194x21mm	iP 10.2" 275x199x21mm	iP 10.5" 275x199x21mm	iP 12.9" 330*245x21mm

Technical Parameter	
Color : Silver / Black / White	Material : SPCC+Alu
Compatible Devices : Optional	Charging Cable Optional
Rotation / Tilt / Locking	

PAD 003A

PAD 003B

PAD 003C

Product Details

Rotation & Tilt Device Case Cable Outlet Locking Hole for Security Screw Cable Management

iPad / Tablet Floor Stand

Anti-theft tablet/iPad Floor Stand

FUNCTION
SQUARE METAL TUBE PROFILE
方形金属管

NEW Product



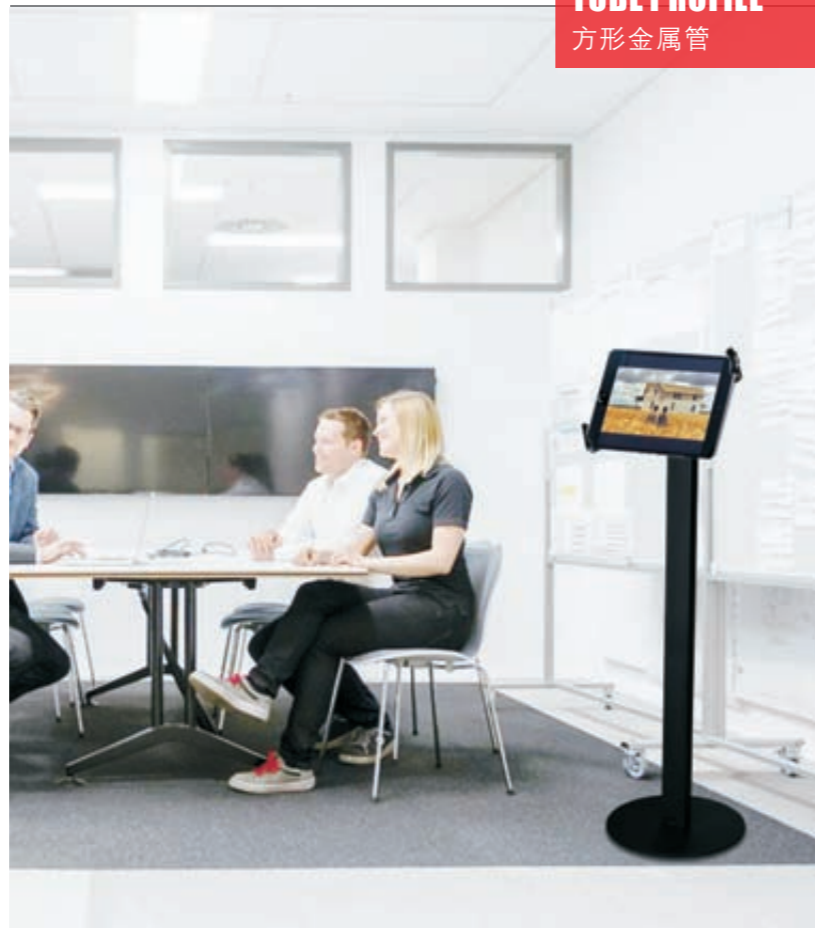
Rotation & Tilt



Cable Management

Technical Parameter

Color : Silver / Black / White	Material : SPCC+Alu
Compatible Devices : Optional	Charging Cable Optional
Rotation / Tilt / Locking	Size:10-13" Tablet

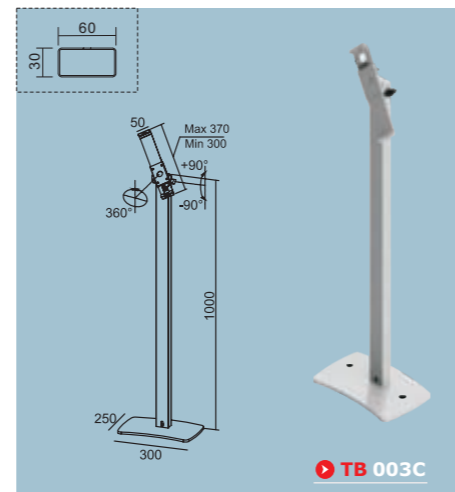
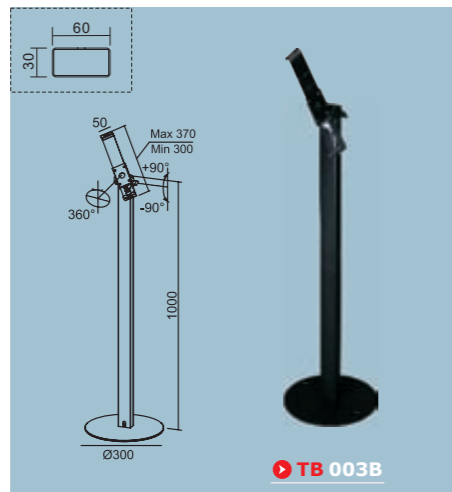
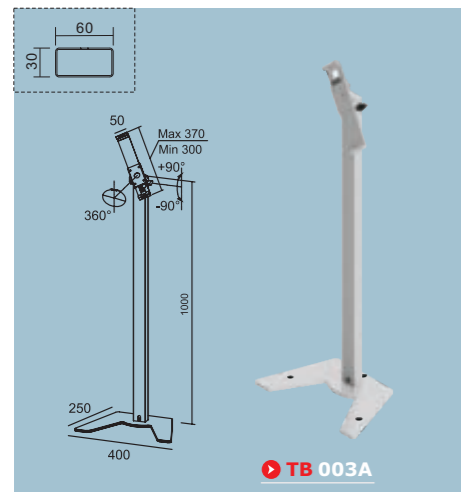


Cable Management



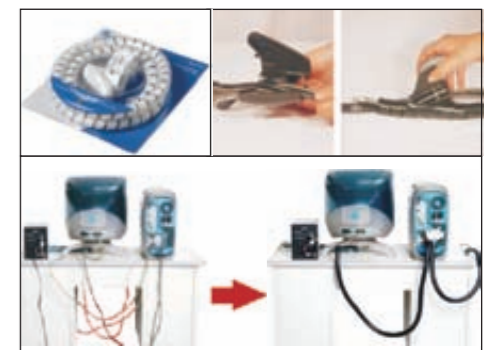
TA 100

Product Size:800* ϕ 56mm
Material:ABS
Color:Silver/Black



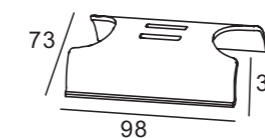
TA 400

Product Length:1500mm
Diameter:22-28mm
Materia:PP/ABS
Color:Grey/Black/White

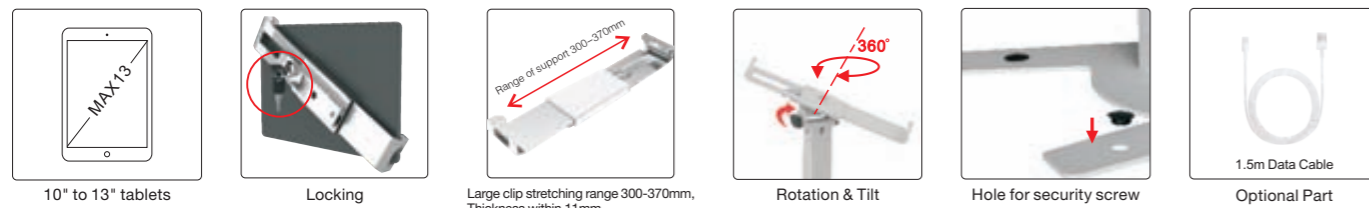


TA 200

Materia:PP+ABS
Color:Black

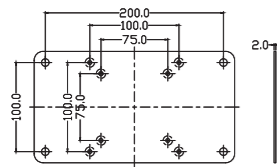


Product Details



VESA Adapter

Universal for PC Mobile Workstation
Material:SPCC
Color:Silver/Black/White
VESA:200*100,100*100,75*75

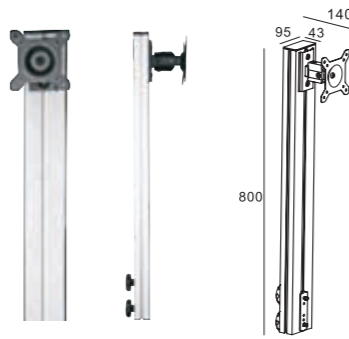


VESA 200



Monitor Mount

Universal for PC Mobile Workstation

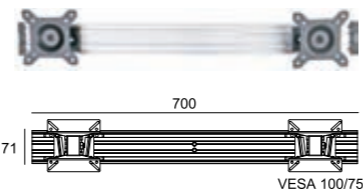


TVM 201



LCD Mount 2 Monitors

Universal for PC Mobile Workstation
Color:Black or Silver
Material:SPCC/Alu
Adjustable length

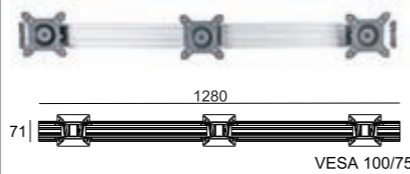


TVM 203



LCD Mount 3 Monitors

Universal for PC Mobile Workstation
Color:Black or Silver
Material:SPCC/Alu
Adjustable length

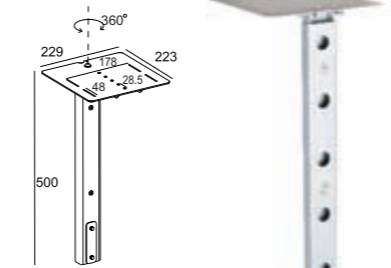


TVM 204

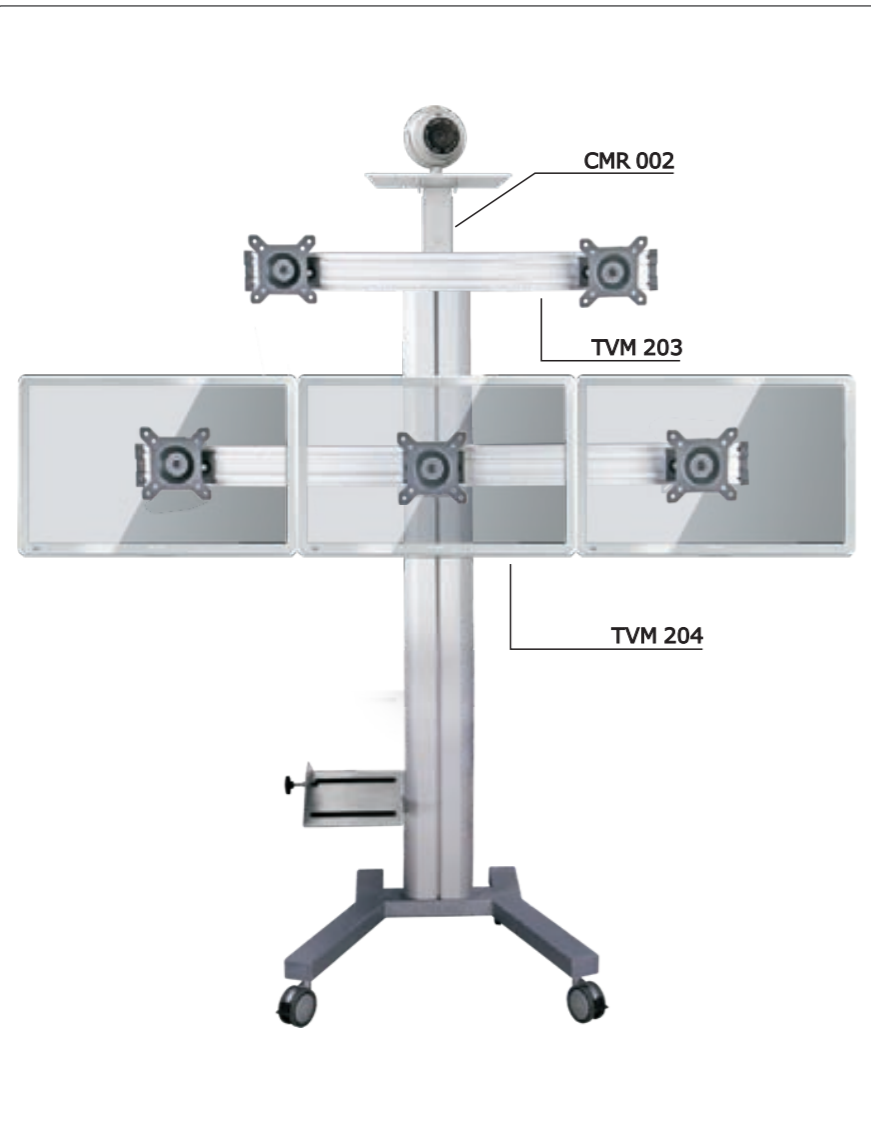


Camera Holder Heavy Duty

Universal for KF Products
Material:SPCC
Color:Silver/Black/White
Cable Management

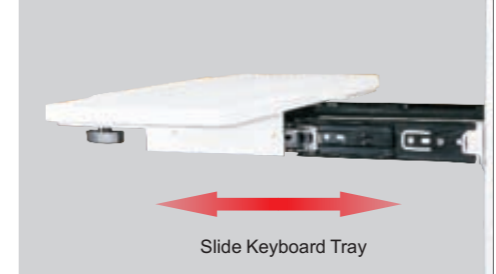
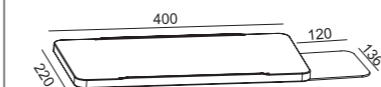


CMR 002



Keyboard Tray

Color:White
Material:ABS/SPCC
With Left & Right Mouse Pad
Universal for all computer Workstation

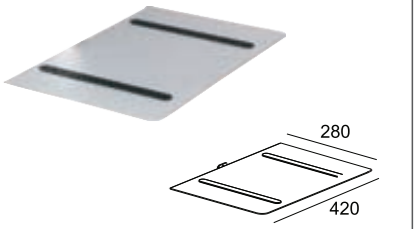


KB 002

Left & Right Mouse Pad

Codec or Printer Shelf

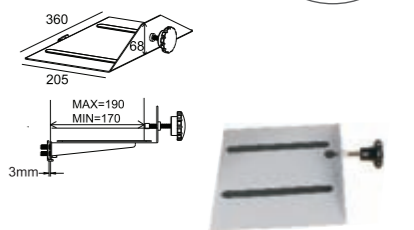
Universal for KF Products
Material:SPCC
Color:Silver/Black/White
Height adjustable



PRT 001

CPU Holder

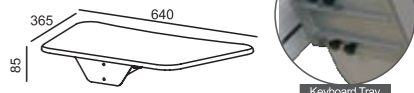
Universal for KF Products
Material:SPCC
Color:Silver/Black/White
Height adjustable



CPU 001

Keyboard Tray

Color:Black /Silver /White
Material:MDF /SPCC
Height Adjustable
Width Adjustable
Universal for KF Carts



KB 001

A4 Document Shelf
 Universal for KF Products
 Material:SPCC
 Color:Silver / Black

Max 5kg [11lbs]
 Height Adjustment Easy Assembly

DOC 001M

A3 Document Shelf
 Universal for KF Products
 Material:SPCC
 Color:Silver / Black

Max 5kg [11lbs]
 Height Adjustment Easy Assembly

DOC 001L

A4 Printing Paper Holder
 Universal for KF Products
 Material:SPCC
 Color:Silver / Black

Max 5kg [11lbs]
 Height Adjustment Easy Assembly

DOC 002

Storage Box
 Universal for KF Products
 Material:SPCC
 Color:Silver/ Black / White

Max 20kg [44lbs]
 Height Adjustment Easy Assembly

STR 001

Storage Box
 Universal for KF Products
 Material:SPCC
 Color:Silver / Black / White

Max 20kg [44lbs]
 Height Adjustment Easy Assembly

STR 002

Cable Hooks
 Universal for KF Products
 Material:SPCC
 Color:Silver / Black

Max 2kg [4.4lbs]
 Cable Management

HK 001

Cable Hooks
 Universal for KF Products
 Material:SPCC
 Color:Black or Silver

Max 2kg [4.4lbs]
 Cable Management

HK 001A / HK 002

One Shelf Drawer
 Material: SPCC
 Color: White / Silver / Black
 With Lock
 Universal for all Computer Workstation

Alu.Handling Bar

DW 001

Two Shelf Drawer
 Material: SPCC
 Color: White / Silver / Black
 With Lock
 Universal for all Computer Workstation

Alu.Handling Bar

DW 002

Handling Bar
 Universal for KF Carts
 Material: Alu. Casting

Handling bar

HDL 001

Handling Bar
 Universal for KF Carts
 Material: SPCC

Horizontal
 Vertical

HDL 002

Tablet Mount
 Universal for KF Products
 Material:SPCC
 Color:Silver / Black / White

Max370-Min300
 240
 70
 360°
 Portrait & Landscape

TB 001

PC Mediabox / Digital Signage Box
 Universal for KF Products
 Material:SPCC
 Color:Silver / Black
 Cable management
 Wallmounted Adapters included
 Door with lock

Wall Mount Adapter
 Mount on Pillar
 VESA 50x50 75x75 100x100 200x100 200x200 300x200 300x300 400x200 400x400
 Max 50kg [110lbs]
 Max 400x400
 Cable Management

MBS 001